

**TECHNICAL DATA 578259101**

LAMP INFO	
Description:	PL BUIT Negro ø30 cm 1xE27
Mark:	10000 PD Pendant
Reference:	578259101
Range:	57825 BUIT
Code EAN:	8421797782597
Measures (mm):	0300-0300-1470
Weight (kg):	1.19

Lampholder/Watts:	E27 LED max.20W	CCT:	-	Switch:	No
Bulb included:	No	Lm:	-	USB_C:	No
Class:	Class I	Effi LS:	-	Shade:	No
IP:	20	CRI:	-	Dimmable:	No
Driver inc.:	No	Lamp Power:	-		
Voltage/Frequence:	230V - 50Hz	Applied Standard:	CE / LVD		

**PACKAGING DETAILS**

	Individual Box	Outer Box	Master Box
Type:	MDC - BROWN PRINTED		
Units:	1.00	0.00	0.00
Measures:	0315-0315-0280	_____	_____
Gross Weight (kg):	1.40	-	-
CTN 40':	2.015,00		

**OBSERVATIONS**

---



---



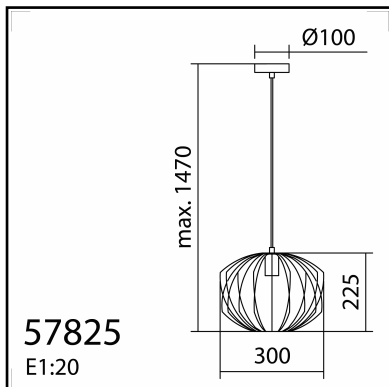
---



---



---



57825  
E1:20

**TECHNICAL DATA 578251001**

LAMP INFO	
Description:	PL BUIT oro ø30 cm 1xE27
Mark:	10000 PD Pendant
Reference:	578251001
Range:	57825 BUIT
Code EAN:	8421797782511
Measures (mm):	0300-0300-1470
Weight (kg):	1.19

Lampholder/Watts:	E27 LED max.20W	CCT:	-	Switch:	No
Bulb included:	No	Lm:	-	USB_C:	No
Class:	Class I	Effi LS:	-	Shade:	No
IP:	20	CRI:	-	Dimmable:	No
Driver inc.:	No	Lamp Power:	-		
Voltage/Frequence:	230V - 50Hz	Applied Standard:	CE / LVD		

PACKAGING DETAILS			
	Individual Box	Outer Box	Master Box
Type:	MDC - BROWN PRINTED		
Units:	1.00	0.00	0.00
Measures:	0315-0315-0280	_____	_____
Gross Weight (kg):	1.40	-	-
CTN 40':	2.015,00		

**OBSERVATIONS**

---



---



---



---



---