

TECHNICAL DATA 578066101

LAMP INFO

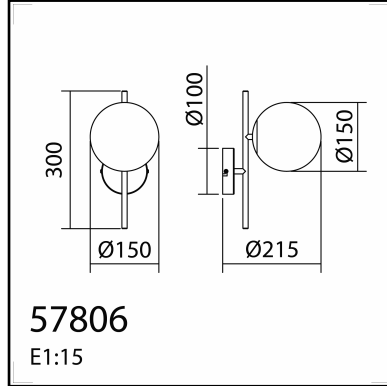
Description:	WL RONDO latón mate 1xE27 ø15 cm
Mark:	10002 WL Wall Lamp
Reference:	578066101
Range:	57804 RONDO
Code EAN:	8421797780654
Measures (mm):	0150-0215-0300
Weight (kg):	0.49

Lampholder/Watts:	E27 LED max.20W	CCT:	-	Switch:	No
Bulb included:	No	Lm:	-	USB_C:	No
Class:	Class II	Effi LS:	-	Shade:	No
IP:	20	CRI:	-	Dimmable:	No
Driver inc.:	No	Lamp Power:	-		
Voltage/Frequence:	230V - 50Hz	Applied Standard:	CE / LVD		

PACKAGING DETAILS

	Individual Box	Outer Box	Master Box
Type:	MDC - BROWN PRINTED	MDC - MARRON / BROWN	
Units:	1.00	6.00	0.00
Measures:	0320-0170-0210	0450-0335-0535	_____
Gross Weight (kg):	0.80	-	-
CTN 40':	4.166,00		

OBSERVATIONS



TECHNICAL DATA 578069101

LAMP INFO	
Description:	WL RONDO NEGRO MATE 1xE27 Ø15cm
Mark:	10002 WL Wall Lamp
Reference:	578069101
Range:	57804 RONDO
Code EAN:	8421797780692
Measures (mm):	0150-0215-0300
Weight (kg):	0.49

Lampholder/Watts:	E27 LED max.20W	CCT:	-	Switch:	No
Bulb included:	No	Lm:	-	USB_C:	No
Class:	Class II	Effi LS:	-	Shade:	No
IP:	20	CRI:	-	Dimmable:	No
Driver inc.:	No	Lamp Power:	-		
Voltage/Frequence:	230V - 50Hz	Applied Standard:	CE / LVD		

PACKAGING DETAILS			
	Individual Box	Outer Box	Master Box
Type:	MDC - BROWN PRINTED	MDC - MARRON / BROWN	
Units:	1.00	6.00	0.00
Measures:	0320-0170-0210	0450-0335-0535	
Gross Weight (kg):	0.80	-	-
CTN 40':	4.166,00		

OBSERVATIONS
