

TECHNICAL DATA 578015503

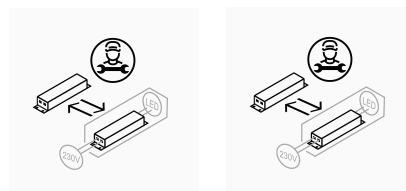
LAMP INFO	
Description:	CL TOKIO LED Natural 36W CCT IP44
Mark:	10001 CL Ceiling
Reference:	578015503
Range:	52432 OKIO
Code EAN:	8421797780159
Measures (mm):	0362-0362-0110
Weight (kg):	1.05

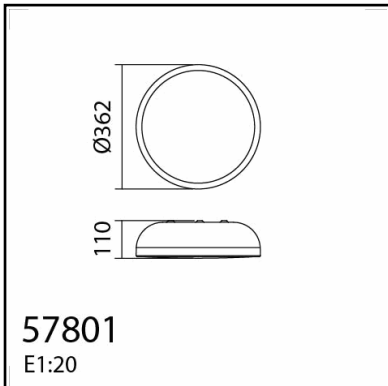
Lampholder/Watts:	LED - 36W	CCT:	3000K / 4000K	Switch:	No
Bulb included:	Yes - SMD	Lm:	2570	USB_C:	No
Class:	Class II	Effi LS:	F	Shade:	No
IP:	44	CRI:	83,20	Dimmable:	No
Driver inc.:	Yes	Lamp Power:	36,00W		
Voltage/Frequence:	230V - 50Hz	Applied Standard:	CE / LVD		

PACKAGING DETAILS

	Individual Box	Outer Box	Master Box
Type:	MDC - BROWN PRINTED	MDC - MARRON / BROWN	
Units:	1.00	4.00	0.00
Measures:	0380-0140-0380	0590-0395-0395	
Gross Weight (kg):	1.52	6.90	
CTN 40':	2.433,00		

OBSERVATIONS





TECHNICAL DATA 578019103

LAMP INFO	
Description:	CL TOKIO LED BK 36W CCT IP44
Mark:	10001 CL Ceiling
Reference:	578019103
Range:	52432 OKIO
Code EAN:	8421797780197
Measures (mm):	0362-0362-0110
Weight (kg):	1.05

Lampholder/Watts:	LED - 36W	CCT:	3000K / 4000K	Switch:	No
Bulb included:	Yes - SMD	Lm:	2570	USB_C:	No
Class:	Class II	Effi LS:	F	Shade:	No
IP:	44	CRI:	83,20	Dimmable:	No
Driver inc.:	Yes	Lamp Power:	36,00W		
Voltage/Frequence:	230V - 50Hz	Applied Standard:	CE / LVD		

PACKAGING DETAILS

	Individual Box	Outer Box	Master Box
Type:	MDC - BROWN PRINTED	MDC - MARRON / BROWN	
Units:	1.00	4.00	0.00
Measures:	0380-0140-0380	0590-0395-0395	
Gross Weight (kg):	1.52	6.90	
CTN 40':	2.433,00		

OBSERVATIONS

