

TECHNICAL DATA 577879601

LAMP INFO

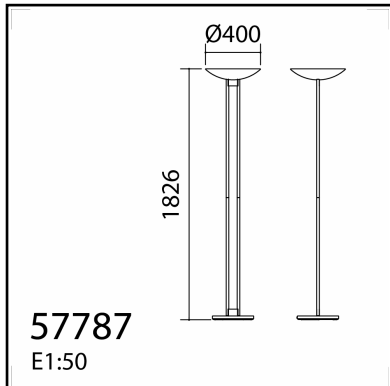
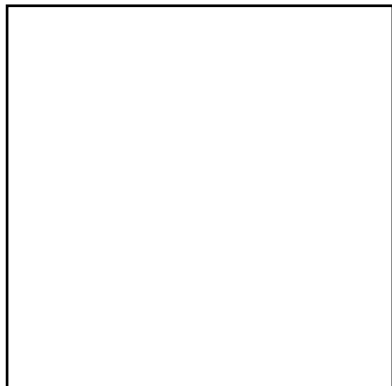
Description:	FL FIRA NIQUEL NEGRO MATE 3xE27		
Mark:	20000	FL Floor Lamp	
Reference:	577879601		
Range:	57787	FIRA	
Code EAN:	8421797778798		
Measures (mm):	0400-0400-1826		
Weight (kg):	5.50		

Lampholder/Watts:	3xE27 LED max.20W	CCT:	-	Switch:	Foot switch
Bulb included:	No	Lm:	-	USB_C:	No
Class:	Class II	Effi LS:	-	Shade:	No
IP:	20	CRI:	-	Dimmable:	No
Driver inc.:	No	Lamp Power:	-		
Voltage/Frequence:	230V - 50Hz	Applied Standard:	CE / LVD		

PACKAGING DETAILS

	Individual Box	Outer Box	Master Box
Type:	MDC - BROWN PRINTED		
Units:	1.00	0.00	0.00
Measures:	0480-0165-0970	_____	_____
Gross Weight (kg):	6.25	-	-
CTN 40':	728,00		

OBSERVATIONS



TECHNICAL DATA 577874301

LAMP INFO

Description:	FL FIRA Bronze 3xE27
Mark:	20000 FL Floor Lamp
Reference:	577874301
Range:	57787 FIRA
Code EAN:	8421797778743
Measures (mm):	0400-0400-1826
Weight (kg):	5.50

Lampholder/Watts:	3xE27 LED max.20W	CCT:	-	Switch:	Foot switch
Bulb included:	No	Lm:	-	USB_C:	No
Class:	Class II	Effi LS:	-	Shade:	No
IP:	20	CRI:	-	Dimmable:	No
Driver inc.:	No	Lamp Power:	-		
Voltage/Frequence:	230V - 50Hz	Applied Standard:	CE / LVD		

PACKAGING DETAILS

	Individual Box	Outer Box	Master Box
Type:	MDC - BROWN PRINTED		
Units:	1.00	0.00	0.00
Measures:	0480-0165-0970	_____	_____
Gross Weight (kg):	6.25	-	-
CTN 40':	728,00		

OBSERVATIONS
