

TECHNICAL DATA 577868102

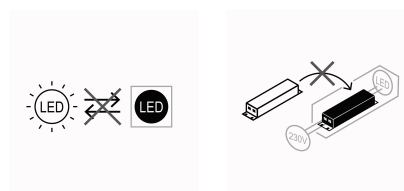
LAMP INFO	
Description:	WL PLUNI 17x17cm 14W 4000k
Mark:	10002 WL Wall Lamp
Reference:	577868102
Range:	57852 PLUNI
Code EAN:	842179778682
Measures (mm):	0170-0044-0170
Weight (kg):	-

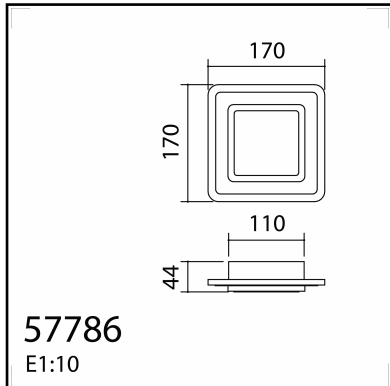
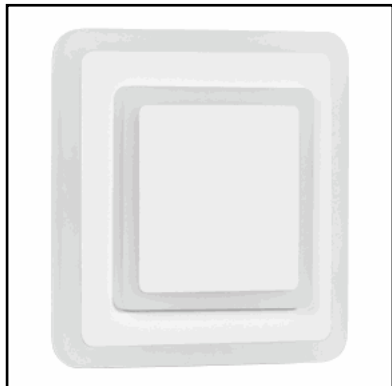
Lampholder/Watts:	LED 14W	CCT:	4000K	Switch:	No
Bulb included:	Yes - SMD	Lm:	1070	USB_C:	No
Class:	Class I	Effi LS:	D	Shade:	No
IP:	20	CRI:	85,20	Dimmable:	No
Driver inc.:	Yes	Lamp Power:	14,00W		
Voltage/Frequence:	230V - 50Hz	Applied Standard:	CE / LVD		

PACKAGING DETAILS

	Individual Box	Outer Box	Master Box
Type:	MDC-MARRON / BROWN	MDC - MARRON / BROWN	
Units:	1.00	10.00	0.00
Measures:	0230-0080-0230	0490-0440-0240	_____
Gross Weight (kg):	-	-	-
CTN 40°:	10.822.00		

OBSERVATIONS





TECHNICAL DATA 577868109

LAMP INFO

Description:	WL PLUNI 17x17cm 14W 3000k
Mark:	10002 WL Wall Lamp
Reference:	577868109
Range:	57852 PLUNI
Code EAN:	842179778699
Measures (mm):	0170-0044-0170
Weight (kg):	-

Lampholder/Watts:	LED 14W	CCT:	3000K	Switch:	No
Bulb included:	Yes - SMD	Lm:	1070	USB_C:	No
Class:	Class I	Effi LS:	D	Shade:	No
IP:	20	CRI:	85,20	Dimmable:	No
Driver inc.:	Yes	Lamp Power:	14,00W		
Voltage/Frequence:	230V - 50Hz	Applied Standard:	CE / LVD		

PACKAGING DETAILS

	Individual Box	Outer Box	Master Box
Type:	MDC-MARRON / BROWN	MDC - MARRON / BROWN	
Units:	1.00	10.00	0.00
Measures:	0230-0080-0230	0490-0440-0240	_____
Gross Weight (kg):	-	-	-
CTN 40':	10.822.00		

OBSERVATIONS

