
TECHNICAL DATA Nº 3.089 -577838102
LAMP INFO

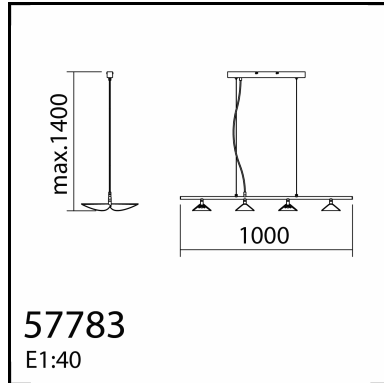
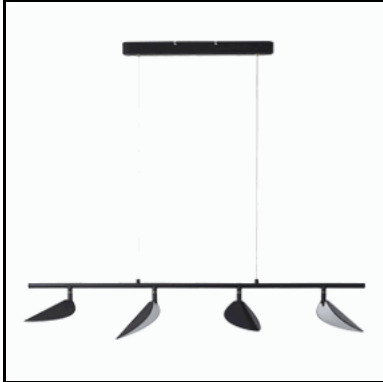
Description:	PL SENDA blanco mate LED 4x7W 3000K		
Mark:	10000 PD Pendant		
Reference:	577838102		
Provisional Ref.:	576278102		
Range:	57780 SENDA		
Code EAN:	8421797778385		
Measures (mm):	0810-1400-0330	Weight (kg):	1.90

Lampholder/Watts:	LED 4x7W	CCT:	3000K	Switch:	No
Bulb included:	Yes - SMD	Lm:	1959.48	Dimmer:	No
Class:	II	Efi:	A++,A	Shade:	No
IP:	20	Ra:	83.8	Shrink wrap:	No
Transformer:	Yes	McAdam:	1.5	Applied Standard:	CE / LVD
Voltage/Frequency:	230V - 50Hz	Power:	27.7W	Bulk:	No

PACKAGING DETAILS

	Individual Box	Outer Box	Master Box
Type:	MDC-MARRON / BROWN	MDC - MARRON / BROWN (c)	
Units:	1.00	4.00	0.00
Measures:	0145-0145-1100	0345-0330-0106	
Gross Weight (kg):	2.50	11.10	-
CTN 40':	18.561,00		

OBSERVATIONS


TECHNICAL DATA Nº 3.121 -577839102

LAMP INFO

Description:	PL SENDA negro mate LED 4x7W 3000K		
Mark:	10000 PD Pendant		
Reference:	577839102		
Provisional Ref.:	576279102		
Range:	57780 SENDA		
Code EAN:	8421797778392		
Measures (mm):	0810-1400-0330	Weight (kg):	1.90

Lampholder/Watts:	LED 4x7W	CCT:	3000K	Switch:	No
Bulb included:	Yes - SMD	Lm:	1959.48	Dimmer:	No
Class:	II	Efi:	A++,A	Shade:	No
IP:	20	Ra:	83.8	Shrink wrap:	No
Transformer:	Yes	McAdam:	1.5	Applied Standard:	CE / LVD
Voltage/Frequency:	230V - 50Hz	Power:	27.7W	Bulk:	No

PACKAGING DETAILS

	Individual Box	Outer Box	Master Box
Type:	MDC-MARRON / BROWN	MDC - MARRON / BROWN (c)	
Units:	1.00	4.00	0.00
Measures:	0145-0145-1100	0345-0330-0106	
Gross Weight (kg):	2.50	11.10	-
CTN 40':	18.561,00		

OBSERVATIONS
