

TECHNICAL DATA Nº 3.090 -577828102

LAMP INFO

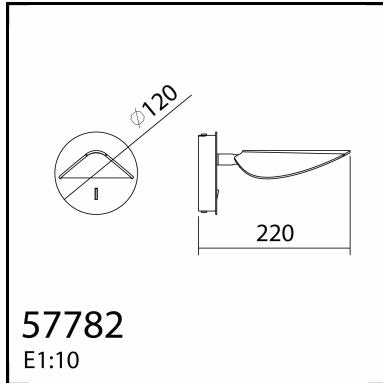
Description:	WL SENDA blanco mate LED 7W 3000K		
Mark:	10002 WL Wall Lamp		
Reference:	577828102		
Provisional Ref.:	576288102		
Range:	57780 SENDA		
Code EAN:	8421797778286		
Measures (mm):	0120-0120-0220	Weight (kg):	0.50

Lampholder/Watts:	LED 7W	CCT:	3000K	Switch:	Rocker switch
Bulb included:	Yes - SMD	Lm:	489.87	Dimmer:	No
Class:	II	Efi:	A++..A	Shade:	No
IP:	20	Ra:	82.8	Shrink wrap:	No
Transformer:	Yes	McAdam:	1.1	Applied Standard:	CE / LVD
Voltage/Frequency:	230V - 50Hz	Power:	8.1W	Bulk:	No

PACKAGING DETAILS

	Individual Box	Outer Box	Master Box
Type:	MDC-MARRON / BROWN	MDC - MARRON / BROWN (c)	
Units:	1.00	12.00	0.00
Measures:	0165-0165-0245	0535-0355-0515	_____
Gross Weight (kg):	0.80	10.40	-
CTN 40':	6.870,00		

OBSERVATIONS



57782
E1:10

TECHNICAL DATA Nº 3.122 -577829102

LAMP INFO

Description:	WL SENDA negro mate LED 7W 3000K		
Mark:	10002 WL Wall Lamp		
Reference:	577829102		
Provisional Ref.:	576289102		
Range:	57780 SENDA		
Code EAN:	8421797778293		
Measures (mm):	0120-0120-0220	Weight (kg):	0.50

Lampholder/Watts:	LED 7W	CCT:	3000K	Switch:	Rocker switch
Bulb included:	Yes - SMD	Lm:	489.87	Dimmer:	No
Class:	II	Efi:	A+..A	Shade:	No
IP:	20	Ra:	82.8	Shrink wrap:	No
Transformer:	Yes	McAdam:	1.1	Applied Standard:	CE / LVD
Voltage/Frequency:	230V - 50Hz	Power:	8.1W	Bulk:	No

PACKAGING DETAILS

	Individual Box	Outer Box	Master Box
Type:	MDC-MARRON / BROWN	MDC - MARRON / BROWN (c)	
Units:	1.00	12.00	0.00
Measures:	0165-0165-0245	0535-0355-0515	
Gross Weight (kg):	0.80	10.40	-
CTN 40':	6.870,00		

OBSERVATIONS
