

TECHNICAL DATA Nº 3.086 -577819102

LAMP INFO

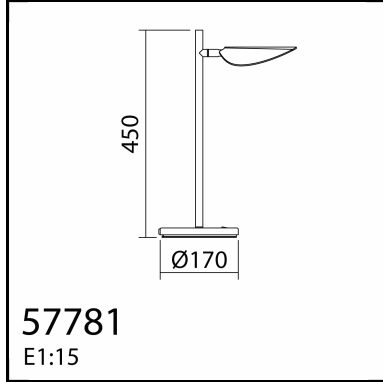
Description:	TL SENDA Negro mate LED 7W 3000K		
Mark:	20001 TL Table Lamp		
Reference:	577819102		
Provisional Ref.:	576269109		
Range:	57780 SENDA		
Code EAN:	8421797778194		
Measures (mm):	0450-0170-0170	Weight (kg):	1.85

Lampholder/Watts:	LED 7W	CCT:	3000K	Switch:	Rocker switch
Bulb included:	Yes - SMD	Lm:	489.87	Dimmer:	No
Class:	III	Efi:	A+..A	Shade:	No
IP:	20	Ra:	83.3	Shrink wrap:	No
Transformer:	Yes	McAdam:	1.1	Applied Standard:	CE / LVD
Voltage/Frequency:	DC 12V - 0.7A	Power:	7.4W	Bulk:	No

PACKAGING DETAILS

	Individual Box	Outer Box	Master Box
Type:	MDC-MARRON / BROWN	MDC - MARRON / BROWN (c)	
Units:	1.00	6.00	0.00
Measures:	0195-0195-0465	0680-0460-0490	_____
Gross Weight (kg):	2.30	10.30	-
CTN 40':	2.192,00		

OBSERVATIONS



TECHNICAL DATA Nº 3.088 -577818102

LAMP INFO

Description:	TL SENDA blanco mate LED 7W 3000K		
Mark:	20001 TL Table Lamp		
Reference:	577818102		
Provisional Ref.:	576268109		
Range:	57780 SENDA		
Code EAN:	8421797778187		
Measures (mm):	0450-0170-0170	Weight (kg):	1.85

Lampholder/Watts:	LED 7W	CCT:	3000K	Switch:	Rocker switch
Bulb included:	Yes - SMD	Lm:	489.87	Dimmer:	No
Class:	III	Efi:	A+..A	Shade:	No
IP:	20	Ra:	83.3	Shrink wrap:	No
Transformer:	Yes	McAdam:	1.1	Applied Standard:	CE / LVD
Voltage/Frequency:	DC 12V - 0.7A	Power:	7.4W	Bulk:	No

PACKAGING DETAILS

	Individual Box	Outer Box	Master Box
Type:	MDC-MARRON / BROWN	MDC - MARRON / BROWN (c)	
Units:	1.00	6.00	0.00
Measures:	0195-0195-0465	0680-0460-0490	_____
Gross Weight (kg):	2.30	10.30	-
CTN 40':	2.192,00		

OBSERVATIONS
