

**TECHNICAL DATA 577723501**

**LAMP INFO**

<b>Description:</b>	LAMP MESA peq. RONDA cromo mate 1xE27 diam.15
<b>Mark:</b>	20001 TL Table Lamp
<b>Reference:</b>	577723501
<b>Range:</b>	57770 RONDA
<b>Code EAN:</b>	842179777234
<b>Measures (mm):</b>	0200-0150-0150
<b>Weight (kg):</b>	0.62

<b>Lampholder/Watts:</b>	E27 LED max.20W	<b>CCT:</b>	-	<b>Switch:</b>	Line switch
<b>Bulb included:</b>	No	<b>Lm:</b>	-	<b>USB_C:</b>	No
<b>Class:</b>	Class II	<b>Effi LS:</b>	-	<b>Shade:</b>	No
<b>IP:</b>	20	<b>CRI:</b>	-	<b>Dimmable:</b>	No
<b>Driver inc.:</b>	No	<b>Lamp Power:</b>	-		
<b>Voltage/Frequence:</b>	230V - 50Hz	<b>Applied Standard:</b>	CE / LVD		

**PACKAGING DETAILS**

	Individual Box	Outer Box	Master Box
<b>Type:</b>	MDC - BROWN PRINTED	MDC - MARRON / BROWN (c)	
<b>Units:</b>	1.00	12.00	0.00
<b>Measures:</b>	0160-0155-0220	0490-0330-0460	_____
<b>Gross Weight (kg):</b>	0.80	10.50	-
<b>CTN 40':</b>	9.034,00		

**OBSERVATIONS**

---



---



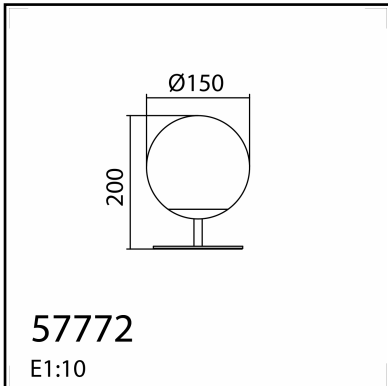
---



---



---



**TECHNICAL DATA 577726101**

**LAMP INFO**

<b>Description:</b>	LAMP MESA peq. RONDA latón mate 1xE27 diam.15
<b>Mark:</b>	20001 TL Table Lamp
<b>Reference:</b>	577726101
<b>Range:</b>	57770 RONDA
<b>Code EAN:</b>	842179777265
<b>Measures (mm):</b>	0200-0150-0150
<b>Weight (kg):</b>	0.62

<b>Lampholder/Watts:</b>	E27 LED max.20W	<b>CCT:</b>	-	<b>Switch:</b>	Line switch
<b>Bulb included:</b>	No	<b>Lm:</b>	-	<b>USB_C:</b>	No
<b>Class:</b>	Class II	<b>Effi LS:</b>	-	<b>Shade:</b>	No
<b>IP:</b>	20	<b>CRI:</b>	-	<b>Dimmable:</b>	No
<b>Driver inc.:</b>	No	<b>Lamp Power:</b>	-		
<b>Voltage/Frequence:</b>	230V - 50Hz	<b>Applied Standard:</b>	CE / LVD		

**PACKAGING DETAILS**

	Individual Box	Outer Box	Master Box
<b>Type:</b>	MDC - BROWN PRINTED	MDC - MARRON / BROWN (c)	
<b>Units:</b>	1.00	12.00	0.00
<b>Measures:</b>	0160-0155-0220	0490-0330-0460	_____
<b>Gross Weight (kg):</b>	0.80	10.50	-
<b>CTN 40':</b>	9.034,00		

**OBSERVATIONS**

---



---



---



---



---