

**TECHNICAL DATA 577648102**

LAMP INFO	
Description:	WL LIBIA blanco 5W 3k+USB
Mark:	10002 WL Wall Lamp
Reference:	577648102
Range:	57764 LIBIA
Code EAN:	8421797776480
Measures (mm):	0160-0130-0210
Weight (kg):	1.00

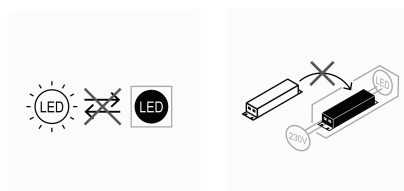
Lampholder/Watts:	LED 5W	CCT:	3000K	Switch:	Push-button
Bulb included:	Yes - SMD	Lm:	250	USB_C:	Yes
Class:	Class II	Effi LS:	D	Shade:	No
IP:	20	CRI:	83,00	Dimmable:	No
Driver inc.:	Yes	Lamp Power:	5,00W		
Voltage/Frequence:	230V - 50Hz	Applied Standard:	CE / LVD		

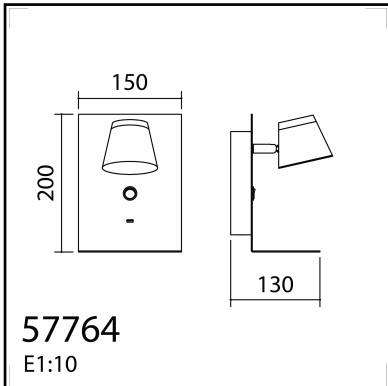
**PACKAGING DETAILS**

	Individual Box	Outer Box	Master Box
Type:	MDC - BROWN	MDC - MARRON / BROWN	
Units:	1.00	4.00	0.00
Measures:	0165-0135-0215	0350-0235-0290	
Gross Weight (kg):	1.14	4.86	-
CTN 40':	9.391,00		

**OBSERVATIONS**

Modificació: 01/02/23





**TECHNICAL DATA 577649102**

LAMP INFO	
Description:	WL LIBIA negro 5W 3k+USB
Mark:	10002 WL Wall Lamp
Reference:	577649102
Range:	57764 LIBIA
Code EAN:	8421797776428
Measures (mm):	0160-0130-0210
Weight (kg):	1.00

Lampholder/Watts:	LED 5W	CCT:	3000K	Switch:	Push-button
Bulb included:	Yes - SMD	Lm:	250	USB_C:	Yes
Class:	Class II	Effi LS:	D	Shade:	No
IP:	20	CRI:	83,00	Dimmable:	No
Driver inc.:	Yes	Lamp Power:	5,00W		
Voltage/Frequence:	230V - 50Hz	Applied Standard:	CE / LVD		

**PACKAGING DETAILS**

	Individual Box	Outer Box	Master Box
Type:	MDC - BROWN	MDC - MARRON / BROWN	
Units:	1.00	4.00	0.00
Measures:	0165-0135-0215	0350-0235-0290	
Gross Weight (kg):	1.14	4.86	-
CTN 40':	9.391,00		

**OBSERVATIONS**

---



---



---



---



---

