

TECHNICAL DATA 577569102

LAMP INFO	
Description:	WL CHELSEA LED 3W negro mate 3k + USB + inter
Mark:	10002 WL Wall Lamp
Reference:	577569102
Range:	57757 CHELSEA
Code EAN:	8421797775698
Measures (mm):	0184-0060-0146
Weight (kg):	0.46

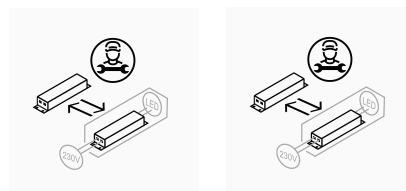
Lampholder/Watts:	LED 3W	CCT:	3000K	Switch:	Rocker switch
Bulb included:	Yes - CREE	Lm:	160	USB_C:	Yes
Class:	Class II	Effi LS:	G	Shade:	No
IP:	20	CRI:	90,00	Dimmable:	No
Driver inc.:	Yes	Lamp Power:	3,00W		
Voltage/Frequence:	230V - 50Hz	Applied Standard:	CE / LVD		

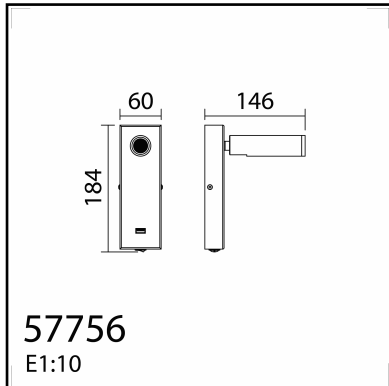
PACKAGING DETAILS

	Individual Box	Outer Box	Master Box
Type:	MDC - BROWN PRINTED	MDC - MARRON / BROWN	
Units:	1.00	16.00	0.00
Measures:	0205-0100-0080	0345-0215-0430	
Gross Weight (kg):	0.56	9.42	-
CTN 40':	28.091,00		

OBSERVATIONS

USB-C socket 5VDC 2A





TECHNICAL DATA 577568102

LAMP INFO	
Description:	WL CHELSEA LED 3W blanco mate 3k + USB + inter
Mark:	10002 WL Wall Lamp
Reference:	577568102
Range:	57757 CHELSEA
Code EAN:	842179775681
Measures (mm):	0184-0060-0146
Weight (kg):	0.46

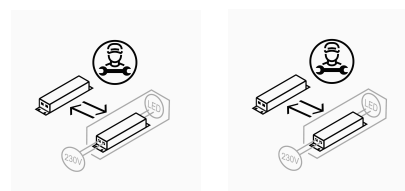
Lampholder/Watts:	LED 3W	CCT:	3000K	Switch:	Rocker switch
Bulb included:	Yes - CREE	Lm:	160	USB_C:	No
Class:	Class II	Effi LS:	G	Shade:	No
IP:	20	CRI:	90,00	Dimmable:	No
Driver inc.:	Yes	Lamp Power:	3,00W		
Voltage/Frequence:	230V - 50Hz	Applied Standard:	CE / LVD		

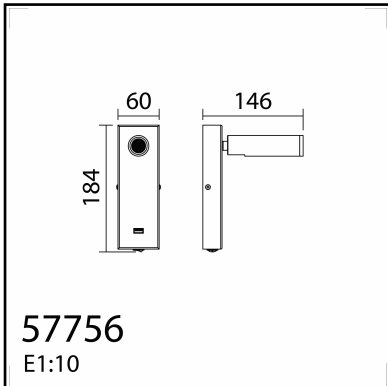
PACKAGING DETAILS

	Individual Box	Outer Box	Master Box
Type:	MDC - BROWN PRINTED	MDC - MARRON / BROWN	
Units:	1.00	16.00	0.00
Measures:	0205-0100-0080	0345-0215-0430	
Gross Weight (kg):	0.56	9.42	
CTN 40':	28.091,00		

OBSERVATIONS

USB-C socket 5VDC 2A





TECHNICAL DATA 577563602

LAMP INFO	
Description:	WL CHELSEA LED 3W níquel mate 3k + USB + inter
Mark:	10002 WL Wall Lamp
Reference:	577563602
Range:	57757 CHELSEA
Code EAN:	8421797775636
Measures (mm):	0184-0060-0146
Weight (kg):	0.45

Lampholder/Watts:	LED 3W	CCT:	3000K	Switch:	Rocker switch
Bulb included:	Yes - CREE	Lm:	160	USB_C:	No
Class:	Class II	Effi LS:	G	Shade:	No
IP:	20	CRI:	90,00	Dimmable:	No
Driver inc.:	Yes	Lamp Power:	3,00W		
Voltage/Frequence:	230V - 50Hz	Applied Standard:	CE / LVD		

PACKAGING DETAILS

	Individual Box	Outer Box	Master Box
Type:	MDC - BROWN PRINTED	MDC - MARRON / BROWN	
Units:	1.00	16.00	0.00
Measures:	0205-0100-0080	0345-0215-0430	
Gross Weight (kg):	0.57	9.42	
CTN 40':	28.091,00		

OBSERVATIONS

USB-C socket 5VDC 2A

