

TECHNICAL DATA 577546802

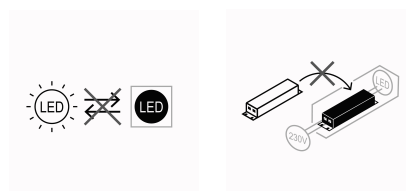
LAMP INFO	
Description:	CL ARIS OPAL LED 24W 60x18cm 4000K
Mark:	10001 CL Ceiling
Reference:	577546802
Range:	57755 ARIS
Code EAN:	8421797775469
Measures (mm):	0063-0600-0180
Weight (kg):	0.76

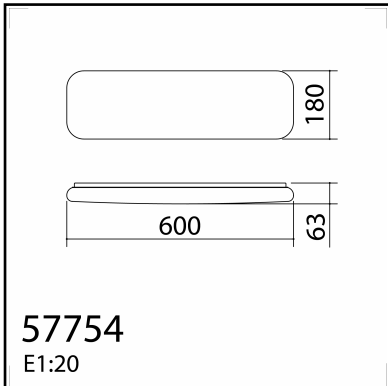
Lampholder/Watts:	LED 24W	CCT:	4000K	Switch:	No
Bulb included:	Yes - SMD	Lm:	2400	USB_C:	No
Class:	Class I	Effi LS:	F	Shade:	No
IP:	20	CRI:	84,60	Dimmable:	No
Driver inc.:	Yes	Lamp Power:	24,00W		
Voltage/Frequence:	220-240V	Applied Standard:	CE / LVD		

PACKAGING DETAILS

	Individual Box	Outer Box	Master Box
Type:	MDC-BLANC+ETIQ COLORS / WHITE+COLOR LAB / BLANC+ETIQ	MDC - MARRON / BROWN	
Units:	1.00	6.00	0.00
Measures:	0225-0120-0645	0660-0465-0385	
Gross Weight (kg):	1.28	8.30	-
CTN 40':	2.843,00		

OBSERVATIONS





TECHNICAL DATA 577546809

LAMP INFO

Description:	CL ARIS OPAL LED 24W 60x18cm 5000K
Mark:	10001 CL Ceiling
Reference:	577546809
Range:	57755 ARIS
Code EAN:	8421797775476
Measures (mm):	0063-0600-0180
Weight (kg):	0.76

Lampholder/Watts:	LED 24W	CCT:	5000K	Switch:	No
Bulb included:	Yes - SMD	Lm:	2400	USB_C:	No
Class:	Class I	Effi LS:	F	Shade:	No
IP:	20	CRI:	84,60	Dimmable:	No
Driver inc.:	Yes	Lamp Power:	24,00W		
Voltage/Frequence:	220-240V	Applied Standard:	CE / LVD		

PACKAGING DETAILS

	Individual Box	Outer Box	Master Box
Type:	MDC-BLANC+ETIQ COLORS / WHITE+COLOR LAB / BLANC+ETI	MDC - MARRON / BROWN	
Units:	1.00	6.00	0.00
Measures:	0225-0120-0645	0660-0465-0385	
Gross Weight (kg):	1.28	8.30	-
CTN 40':	2.843,00		

OBSERVATIONS

