

TECHNICAL DATA Nº 3.270 -577516802

LAMP INFO

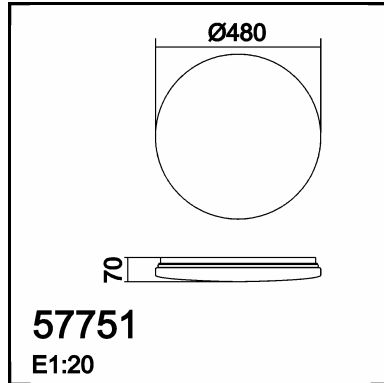
Description:	CL EROS APP Opal LED 65W Ø480mm CCT 3K-6K APP+RC		
Mark:	10001 CL Ceiling		
Reference:	577516802		
Provisional Ref.:			
Range:	57750 IVY		
Code EAN:	8421797775162		
Measures (mm):	0070-0480-0480	Weight (kg):	1.28

Lampholder/Watts:	LED 65W	CCT:	Dimmable CCT 3000K-6500K	Switch:	No
Bulb included:	Yes - SMD	Lm:	2091.88	Dimmer:	Yes
Class:	I	Efi:	A+..A	Shade:	No
IP:	20	Ra:	88.8	Shrink wrap:	No
Transformer:	Yes	McAdam:	2.4	Applied Standard:	CE / LVD
Voltage/Frequency:	230V - 50Hz	Power:	60.7W	Bulk:	No

PACKAGING DETAILS

	Individual Box	Outer Box	Master Box
Type:	MDC- COLORS / COULEUR	MDC - MARRON / BROWN (c)	
Units:	1.00	5.00	0.00
Measures:	0550-0550-0085	0570-0450-0570	_____
Gross Weight (kg):	1.96	10.00	-
CTN 40':	1.915,00		

OBSERVATIONS



TECHNICAL DATA Nº 3.271 -577516902

LAMP INFO

Description:	CL EROS APP Starry LED 65W Ø480mm CCT 3K-6K APP+RC		
Mark:	10001 CL Ceiling		
Reference:	577516902		
Provisional Ref.:			
Range:	57750 IVY		
Code EAN:	8421797775179		
Measures (mm):	0070-0480-0480	Weight (kg):	1.28

Lampholder/Watts:	LED 65W	CCT:	Dimmable CCT 3000K-6500K	Switch:	No
Bulb included:	Yes - SMD	Lm:	2091.88	Dimmer:	Yes
Class:	I	Efi:	A+..A	Shade:	No
IP:	20	Ra:	88.8	Shrink wrap:	No
Transformer:	Yes	McAdam:	2.4	Applied Standard:	CE / LVD
Voltage/Frequency:	230V - 50Hz	Power:	60.7W	Bulk:	No

PACKAGING DETAILS

	Individual Box	Outer Box	Master Box
Type:	MDC- COLORS / COULEUR	MDC - MARRON / BROWN	
Units:	1.00	5.00	0.00
Measures:	0550-0550-0085	0570-0450-0570	
Gross Weight (kg):	1.96	10.00	-
CTN 40':	1.915,00		

OBSERVATIONS
