

TECHNICAL DATA 577193502

LAMP INFO

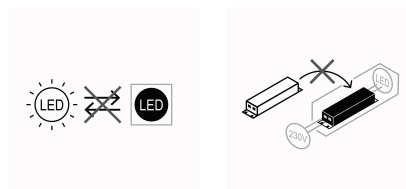
Description:	CL ASLI APP crom ma LED 80w 48cm CCT 30-65K APPTUY		
Mark:	10001	CL Ceiling	
Reference:	577193502		
Range:	52427	SULI	
Code EAN:	8421797771928		
Measures (mm):	0485-0485-0064		
Weight (kg):	1.50		

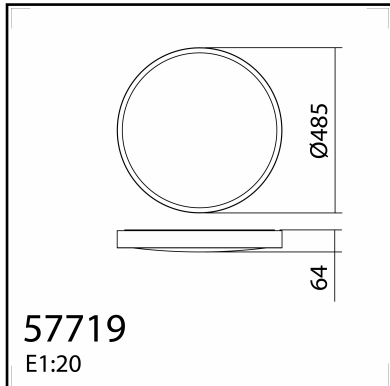
Lampholder/Watts:	LED 80W	CCT:	Progressive CCT 3000K-6000K	Switch:	Remote Control
Bulb included:	Yes - SMD	Lm:	5000	USB_C:	No
Class:	Class I	Effi LS:	E	Shade:	No
IP:	20	CRI:	89,50	Dimmable:	4 steps dimmer included
Driver inc.:	Yes	Lamp Power:	80,00W		
Voltage/Frequence:	230V - 50Hz	Applied Standard:	CE / LVD		

PACKAGING DETAILS

	Individual Box	Outer Box	Master Box
Type:	MDC - COLORS	MDC - MARRON / BROWN	
Units:	1.00	5.00	0.00
Measures:	0550-0085-0550	0570-0460-0570	_____
Gross Weight (kg):	2.10	11.40	-
CTN 40':	1.873,00		

OBSERVATIONS





TECHNICAL DATA 577194302

LAMP INFO

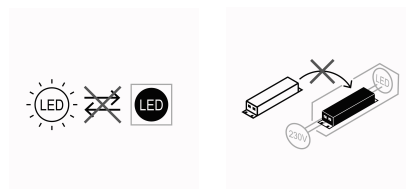
Description:	CL ASLI APP medal LED 80w 480mm CCT 30-65K APP TUY		
Mark:	10001	CL Ceiling	
Reference:	577194302		
Range:	52427	SULI	
Code EAN:	8421797771942		
Measures (mm):	0485-0485-0064		
Weight (kg):	1.50		

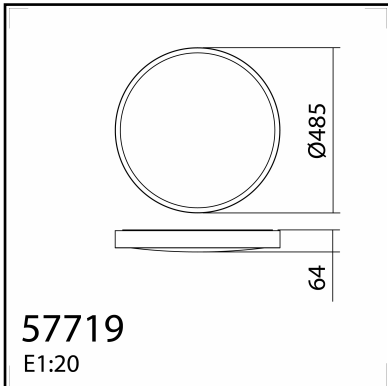
Lampholder/Watts:	LED 80W	CCT:	Progressive CCT 3000K-6000K	Switch:	Remote Control
Bulb included:	Yes - SMD	Lm:	5000	USB_C:	No
Class:	Class I	Effi LS:	E	Shade:	No
IP:	20	CRI:	89,50	Dimmable:	4 steps dimmer included
Driver inc.:	Yes	Lamp Power:	80,00W		
Voltage/Frequence:	230V - 50Hz	Applied Standard:	CE / LVD		

PACKAGING DETAILS

	Individual Box	Outer Box	Master Box
Type:	MDC - COLORS	MDC - MARRON / BROWN	
Units:	1.00	5.00	0.00
Measures:	0550-0085-0550	0570-0460-0570	
Gross Weight (kg):	2.10	11.40	-
CTN 40':	1.873,00		

OBSERVATIONS





TECHNICAL DATA 577195502

LAMP INFO

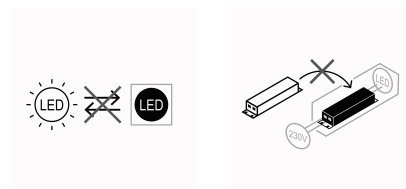
Description:	CL ASLI APP Natu LED 80w 48cm CCT 30-65K APP TUYA		
Mark:	10001	CL Ceiling	
Reference:	577195502		
Range:	52427	SULI	
Code EAN:	8421797771959		
Measures (mm):	0485-0485-0064		
Weight (kg):	1.50		

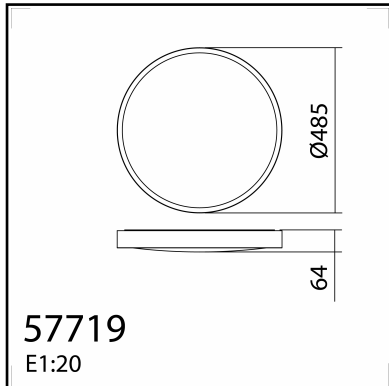
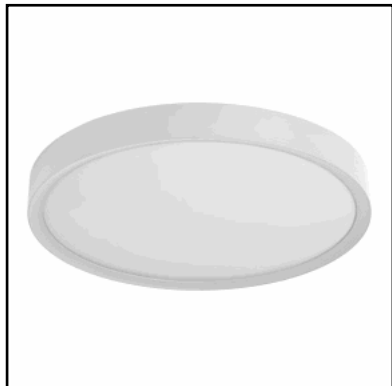
Lampholder/Watts:	LED 80W	CCT:	Progressive CCT 3000K-6000K	Switch:	Remote Control
Bulb included:	Yes - SMD	Lm:	5000	USB_C:	No
Class:	Class I	Effi LS:	E	Shade:	No
IP:	20	CRI:	89,50	Dimmable:	4 steps dimmer included
Driver inc.:	Yes	Lamp Power:	80,00W		
Voltage/Frequence:	230V - 50Hz	Applied Standard:	CE / LVD		

PACKAGING DETAILS

	Individual Box	Outer Box	Master Box
Type:	MDC - COLORS	MDC - MARRON / BROWN	
Units:	1.00	5.00	0.00
Measures:	0550-0085-0550	0570-0450-0570	_____
Gross Weight (kg):	2.10	11.40	-
CTN 40':	1.915,00		

OBSERVATIONS





TECHNICAL DATA 577198102

LAMP INFO

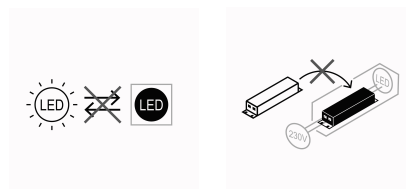
Description:	CL ASLI APP blanc LED 80w 480mm CCT 30-65K APP TUY		
Mark:	10001	CL Ceiling	
Reference:	577198102		
Range:	52427	SULI	
Code EAN:	8421797771980		
Measures (mm):	0485-0485-0064		
Weight (kg):	1.50		

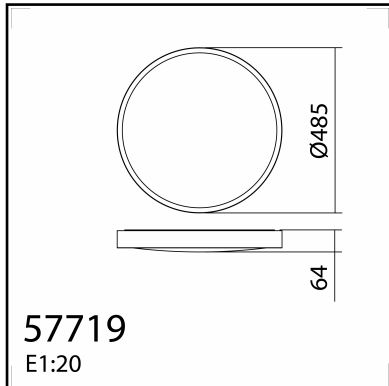
Lampholder/Watts:	LED 80W	CCT:	Progressive CCT 3000K-6000K	Switch:	Remote Control
Bulb included:	Yes - SMD	Lm:	5000	USB_C:	No
Class:	Class I	Effi LS:	E	Shade:	No
IP:	20	CRI:	89,50	Dimmable:	4 steps dimmer included
Driver inc.:	Yes	Lamp Power:	80,00W		
Voltage/Frequence:	230V - 50Hz	Applied Standard:	CE / LVD		

PACKAGING DETAILS

	Individual Box	Outer Box	Master Box
Type:	MDC - COLORS	MDC - MARRON / BROWN	
Units:	1.00	5.00	0.00
Measures:	0550-0085-0550	0570-0460-0570	
Gross Weight (kg):	2.10	11.40	-
CTN 40°:	1.873,00		

OBSERVATIONS





TECHNICAL DATA 577199102

LAMP INFO	
Description:	CL ASLI APP negro LED 80w 480mm CCT 30-65K APP TUY
Mark:	10001 CL Ceiling
Reference:	577199102
Range:	52427 SULI
Code EAN:	8421797771997
Measures (mm):	0485-0485-0064
Weight (kg):	1.50

Lampholder/Watts:	LED 80W	CCT:	Progressive CCT 3000K-6000K	Switch:	Remote Control
Bulb included:	Yes - SMD	Lm:	5000	USB_C:	No
Class:	Class I	Effi LS:	E	Shade:	No
IP:	20	CRI:	89,50	Dimmable:	4 steps dimmer included
Driver inc.:	Yes	Lamp Power:	80,00W		
Voltage/Frequence:	230V - 50Hz	Applied Standard:	CE / LVD		

PACKAGING DETAILS

	Individual Box	Outer Box	Master Box
Type:	MDC - COLORS	MDC - MARRON / BROWN	
Units:	1.00	5.00	0.00
Measures:	0550-0085-0550	0570-0460-0570	
Gross Weight (kg):	2.10	11.40	-
CTN 40':	1.873,00		

OBSERVATIONS

