

**TECHNICAL DATA N°** 3.263 -577160702

**LAMP INFO**

<b>Description:</b>	WL SIONE antracita + cobre LED 7W 3000K W/O SWITCH		
<b>Mark:</b>	10002 WL Wall Lamp		
<b>Reference:</b>	577160702		
<b>Provisional Ref.:</b>			
<b>Range:</b>	57350 SIONE		
<b>Code EAN:</b>	8421797771614		
<b>Measures (mm):</b>	0120-0120-0165	<b>Weight (kg):</b>	0.40

**TECHNICAL INFO**

<b>Lampholder/Watts:</b>	LED 7W	<b>Switch:</b>	No	<b>Transformer:</b>	Yes
<b>Bulb included:</b>	Yes - COB	<b>Dimmer:</b>	No	<b>Voltage/Frequence:</b>	230V - 50Hz
<b>CCT:</b>	3000K	<b>Efi:</b>	A++..A	<b>Shade:</b>	No
<b>Lm:</b>	389.53	<b>Ra:</b>	84.1	<b>Shrink wrap:</b>	No
<b>Class:</b>	II	<b>Bulk:</b>	No	<b>Applied Standard:</b>	CE / LVD
<b>IP:</b>	20	<b>McAdam:</b>	0.8	<b>Power:</b>	8.4W

**PACKAGING DETAILS**

	Individual Box	Outer Box	Master Box
<b>Type:</b>	MDC-MARRON / BROWN	MDC - MARRON / BROWN	
<b>Units:</b>	1.00	12.00	0.00
<b>Measures:</b>	0155-0130-0100	0330-0280-0340	___-___-___
<b>Gross Weight (kg):</b>	0.50	6.40	-
<b>CTN 40':</b>	21.390,00		

**OBSERVATIONS**

---



---



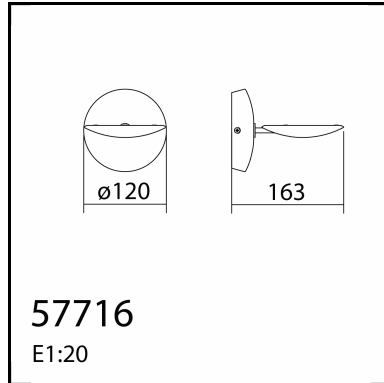
---



---



---



**TECHNICAL DATA N°** 3.264 -577163502

**LAMP INFO**

<b>Description:</b>	WL SIONE cromo mate LED 7W 3000K W/O SWITCH		
<b>Mark:</b>	10002 WL Wall Lamp		
<b>Reference:</b>	577163502		
<b>Provisional Ref.:</b>			
<b>Range:</b>	57350 SIONE		
<b>Code EAN:</b>	8421797771652		
<b>Measures (mm):</b>	0120-0120-0165	<b>Weight (kg):</b>	0.40

**TECHNICAL INFO**

<b>Lampholder/Watts:</b>	LED 7W	<b>Switch:</b>	No	<b>Transformer:</b>	Yes
<b>Bulb included:</b>	Yes - COB	<b>Dimmer:</b>	No	<b>Voltage/Frequence:</b>	230V - 50Hz
<b>CCT:</b>	3000K	<b>Efi:</b>	A++..A	<b>Shade:</b>	No
<b>Lm:</b>	389.53	<b>Ra:</b>	84.1	<b>Shrink wrap:</b>	No
<b>Class:</b>	II	<b>Bulk:</b>	No	<b>Applied Standard:</b>	CE / LVD
<b>IP:</b>	20	<b>McAdam:</b>	0.8	<b>Power:</b>	8.4W

**PACKAGING DETAILS**

	Individual Box	Outer Box	Master Box
<b>Type:</b>	MDC-MARRON / BROWN	MDC - MARRON / BROWN	
<b>Units:</b>	1.00	12.00	0.00
<b>Measures:</b>	0155-0130-0100	0330-0280-0340	_____
<b>Gross Weight (kg):</b>	0.50	6.40	-
<b>CTN 40':</b>	21.390,00		

**OBSERVATIONS**

---



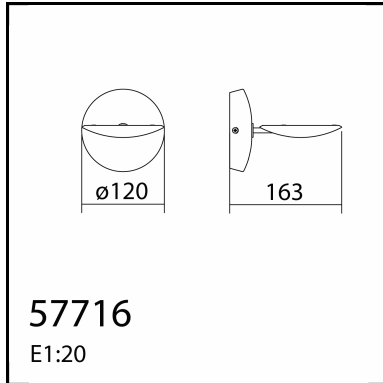
---



---



---



**TECHNICAL DATA N°** 3.265 -577164302

**LAMP INFO**

<b>Description:</b>	WL SIONE bronze LED 7W 3000K W/O SWITCH		
<b>Mark:</b>	10002 WL Wall Lamp		
<b>Reference:</b>	577164302		
<b>Provisional Ref.:</b>			
<b>Range:</b>	57350 SIONE		
<b>Code EAN:</b>	8421797771621		
<b>Measures (mm):</b>	0120-0120-0165	<b>Weight (kg):</b>	0.40

**TECHNICAL INFO**

<b>Lampholder/Watts:</b>	LED 7W	<b>Switch:</b>	No	<b>Transformer:</b>	Yes
<b>Bulb included:</b>	Yes - COB	<b>Dimmer:</b>	No	<b>Voltage/Frequence:</b>	230V - 50Hz
<b>CCT:</b>	3000K	<b>Efi:</b>	A++..A	<b>Shade:</b>	No
<b>Lm:</b>	389.53	<b>Ra:</b>	84.1	<b>Shrink wrap:</b>	No
<b>Class:</b>	II	<b>Bulk:</b>	No	<b>Applied Standard:</b>	CE / LVD
<b>IP:</b>	20	<b>McAdam:</b>	0.8	<b>Power:</b>	8.4W

**PACKAGING DETAILS**

	Individual Box	Outer Box	Master Box
<b>Type:</b>	MDC-MARRON / BROWN	MDC - MARRON / BROWN	
<b>Units:</b>	1.00	12.00	0.00
<b>Measures:</b>	0155-0130-0100	0330-0280-0340	___-___-___
<b>Gross Weight (kg):</b>	0.50	6.40	-
<b>CTN 40':</b>	21.390,00		

**OBSERVATIONS**

---



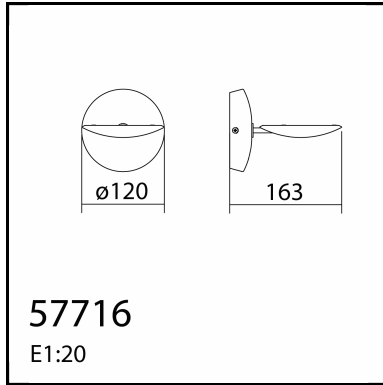
---



---



---



**TECHNICAL DATA N°** 3.262 -577160602

**LAMP INFO**

<b>Description:</b>	WL SIONE negro mat + cromo LED 7W 3000K W/O SWITCH		
<b>Mark:</b>	10002 WL Wall Lamp		
<b>Reference:</b>	577160602		
<b>Provisional Ref.:</b>			
<b>Range:</b>	57350 SIONE		
<b>Code EAN:</b>	8421797771645		
<b>Measures (mm):</b>	0120-0120-0165	<b>Weight (kg):</b>	0.40

**TECHNICAL INFO**

<b>Lampholder/Watts:</b>	LED 7W	<b>Switch:</b>	No	<b>Transformer:</b>	Yes
<b>Bulb included:</b>	Yes - COB	<b>Dimmer:</b>	No	<b>Voltage/Frequence:</b>	230V - 50Hz
<b>CCT:</b>	3000K	<b>Efi:</b>	A++..A	<b>Shade:</b>	No
<b>Lm:</b>	389.53	<b>Ra:</b>	84.1	<b>Shrink wrap:</b>	No
<b>Class:</b>	II	<b>Bulk:</b>	No	<b>Applied Standard:</b>	CE / LVD
<b>IP:</b>	20	<b>McAdam:</b>	0.8	<b>Power:</b>	8.4W

**PACKAGING DETAILS**

	Individual Box	Outer Box	Master Box
<b>Type:</b>	MDC-MARRON / BROWN	MDC - MARRON / BROWN	
<b>Units:</b>	1.00	12.00	0.00
<b>Measures:</b>	0155-0130-0100	0330-0280-0340	_____
<b>Gross Weight (kg):</b>	0.50	6.40	-
<b>CTN 40':</b>	21.390,00		

**OBSERVATIONS**

---



---



---



---