

TECHNICAL DATA N° 2.908 -576958103

LAMP INFO

Description:	FOCO APOLO R5,LED 5*5W 500lm (blanco mate) IP44		
Mark:	10003 SL Spot Light		
Reference:	576958103		
Provisional Ref.:			
Range:	57690 APOLO		
Code EAN:	8421797769581		
Measures (mm):	0110-0850-0032	Weight (kg):	1.30

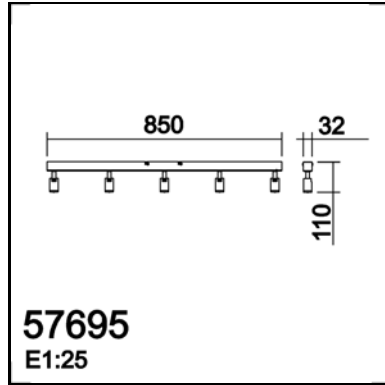
TECHNICAL INFO

Lampholder/Watts:	LED 5x5W	Switch:	No	Transformer:	Yes
Bulb included:	Yes - SMD	Dimmer:	No	Voltage/Frequence:	230V - 50Hz
CCT:	4000K	Efi:	A++..A	Shade:	No
Lm:	1407.25	Ra:	83.1	Shrink wrap:	No
Class:	II	Bulk:	No	Applied Standard:	CE / LVD
IP:	44	McAdam:	1.6	Power:	19.5W

PACKAGING DETAILS

	Individual Box	Outer Box	Master Box
Type:	MDC- COLORS / COULEUR	MDC - MARRON / BROWN	
Units:	1.00	8.00	0.00
Measures:	0095-0055-0870	0245-0215-0890	_____
Gross Weight (kg):	1.40	12.50	-
CTN 40°:	9.556,00		

OBSERVATIONS



TECHNICAL DATA N° 2.907 -576959103

LAMP INFO

Description:	FOCO APOLO R5,LED 5*5W 500lm (negro mate) IP44		
Mark:	10003 SL Spot Light		
Reference:	576959103		
Provisional Ref.:			
Range:	57690 APOLO		
Code EAN:	8421797769598		
Measures (mm):	0110-0850-0032	Weight (kg):	1.30

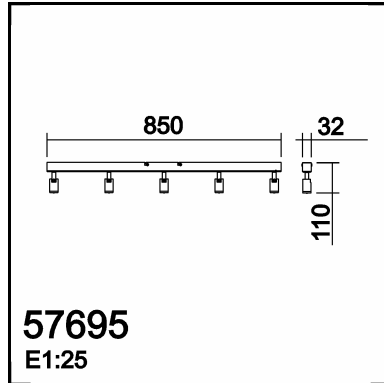
TECHNICAL INFO

Lampholder/Watts:	LED 5x5W	Switch:	No	Transformer:	Yes
Bulb included:	Yes - SMD	Dimmer:	No	Voltage/Frequence:	230V - 50Hz
CCT:	4000K	Efi:	A++..A	Shade:	No
Lm:	1407.25	Ra:	83.1	Shrink wrap:	No
Class:	II	Bulk:	No	Applied Standard:	CE / LVD
IP:	44	McAdam:	1.6	Power:	19.5W

PACKAGING DETAILS

	Individual Box	Outer Box	Master Box
Type:	MDC- COLORS / COULEUR	MDC - MARRON / BROWN	
Units:	1.00	8.00	0.00
Measures:	0095-0055-0870	0245-0215-0890	_____
Gross Weight (kg):	1.40	12.50	-
CTN 40':	9.556,00		

OBSERVATIONS



TECHNICAL DATA N° 3.196 -576958109

LAMP INFO

Description:	SL APOLO blanco mate LED 5x5W 3000K IP44		
Mark:	10003 SL Spot Light		
Reference:	576958109		
Provisional Ref.:			
Range:	57690 APOLO		
Code EAN:	8421797769574		
Measures (mm):	0110-0850-0032	Weight (kg):	1.30

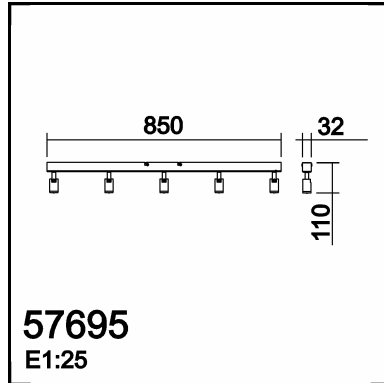
TECHNICAL INFO

Lampholder/Watts:	LED 5x5W	Switch:	No	Transformer:	Yes
Bulb included:	Yes - SMD	Dimmer:	No	Voltage/Frequence:	230V - 50Hz
CCT:	3000K	Efi:	A++..A	Shade:	No
Lm:	1407.25	Ra:	83.1	Shrink wrap:	No
Class:	II	Bulk:	No	Applied Standard:	CE / LVD
IP:	44	McAdam:	1.6	Power:	19.5W

PACKAGING DETAILS

	Individual Box	Outer Box	Master Box
Type:	MDC- COLORS / COULEUR	MDC - MARRON / BROWN	
Units:	1.00	8.00	0.00
Measures:	0095-0055-0870	0245-0215-0890	_____
Gross Weight (kg):	1.40	12.50	-
CTN 40':	9.556,00		

OBSERVATIONS



TECHNICAL DATA N° 3.195 -576959109

LAMP INFO

Description:	SL APOLO negro mate LED 5x5W 3000K IP44		
Mark:	10003 SL Spot Light		
Reference:	576959109		
Provisional Ref.:			
Range:	57690 APOLO		
Code EAN:	8421797769567		
Measures (mm):	0110-0850-0032	Weight (kg):	1.30

TECHNICAL INFO

Lampholder/Watts:	LED 5x5W	Switch:	No	Transformer:	Yes
Bulb included:	Yes - SMD	Dimmer:	No	Voltage/Frequence:	230V - 50Hz
CCT:	3000K	Efi:	A++..A	Shade:	No
Lm:	1407.25	Ra:	83.1	Shrink wrap:	No
Class:	II	Bulk:	No	Applied Standard:	CE / LVD
IP:	44	McAdam:	1.6	Power:	19.5W

PACKAGING DETAILS

	Individual Box	Outer Box	Master Box
Type:	MDC- COLORS / COULEUR	MDC - MARRON / BROWN	
Units:	1.00	8.00	0.00
Measures:	0095-0055-0870	0245-0215-0890	_____
Gross Weight (kg):	1.40	12.50	-
CTN 40':	9.556,00		

OBSERVATIONS
