

**TECHNICAL DATA N°** 2.903 -576909103

**LAMP INFO**

<b>Description:</b>	FOCO APOLO B1, LED 1*5W 500lm (negro mate) IP44		
<b>Mark:</b>	10003 SL Spot Light		
<b>Reference:</b>	576909103		
<b>Provisional Ref.:</b>			
<b>Range:</b>	57690 APOLO		
<b>Code EAN:</b>	8421797769093		
<b>Measures (mm):</b>	0110-0125-0032	<b>Weight (kg):</b>	0.25

**TECHNICAL INFO**

<b>Lampholder/Watts:</b>	LED 5W	<b>Switch:</b>	No	<b>Transformer:</b>	Yes
<b>Bulb included:</b>	Yes - SMD	<b>Dimmer:</b>	No	<b>Voltage/Frequence:</b>	230V - 50Hz
<b>CCT:</b>	4000K	<b>Efi:</b>	A++..A	<b>Shade:</b>	No
<b>Lm:</b>	281.45	<b>Ra:</b>	84.4	<b>Shrink wrap:</b>	No
<b>Class:</b>	II	<b>Bulk:</b>	No	<b>Applied Standard:</b>	CE / LVD
<b>IP:</b>	44	<b>McAdam:</b>	1.1	<b>Power:</b>	4.7W

**PACKAGING DETAILS**

	Individual Box	Outer Box	Master Box
<b>Type:</b>	MDC- COLORS / COULEUR	MDC - MARRON / BROWN	
<b>Units:</b>	1.00	24.00	0.00
<b>Measures:</b>	0135-0050-0095	0425-0225-0225	_____
<b>Gross Weight (kg):</b>	0.34	9.10	-
<b>CTN 40':</b>	62.466,00		

**OBSERVATIONS**

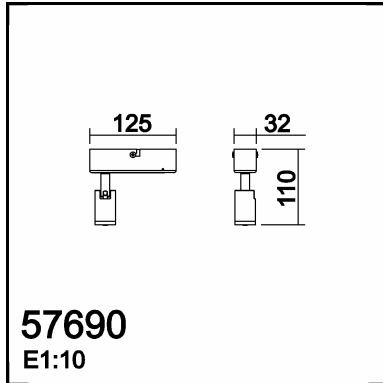
---

---

---

---

---



**TECHNICAL DATA N°** 3.192 -576908109

**LAMP INFO**

<b>Description:</b>	SL APOLO blanco Mate LED 5W 3000K IP44		
<b>Mark:</b>	10003 SL Spot Light		
<b>Reference:</b>	576908109		
<b>Provisional Ref.:</b>			
<b>Range:</b>	57690 APOLO		
<b>Code EAN:</b>	8421797769079		
<b>Measures (mm):</b>	0110-0125-0032	<b>Weight (kg):</b>	0.25

**TECHNICAL INFO**

<b>Lampholder/Watts:</b>	LED 5W	<b>Switch:</b>	No	<b>Transformer:</b>	Yes
<b>Bulb included:</b>	Yes - SMD	<b>Dimmer:</b>	No	<b>Voltage/Frequence:</b>	230V - 50Hz
<b>CCT:</b>	3000K	<b>Efi:</b>	A++..A	<b>Shade:</b>	No
<b>Lm:</b>	281.45	<b>Ra:</b>	84.4	<b>Shrink wrap:</b>	No
<b>Class:</b>	II	<b>Bulk:</b>	No	<b>Applied Standard:</b>	CE / LVD
<b>IP:</b>	44	<b>McAdam:</b>	1.1	<b>Power:</b>	4.7W

**PACKAGING DETAILS**

	Individual Box	Outer Box	Master Box
<b>Type:</b>	MDC- COLORS / COULEUR	MDC - MARRON / BROWN	
<b>Units:</b>	1.00	24.00	0.00
<b>Measures:</b>	0135-0050-0095	0425-0225-0225	___-___-___
<b>Gross Weight (kg):</b>	0.34	9.10	-
<b>CTN 40':</b>	62.466,00		

**OBSERVATIONS**

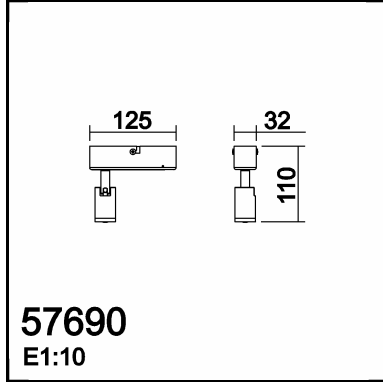
---

---

---

---

---



**TECHNICAL DATA N°** 3.191 -576909109

**LAMP INFO**

<b>Description:</b>	SL APOLO Negro mate LED 5W 3000K IP44		
<b>Mark:</b>	10003 SL Spot Light		
<b>Reference:</b>	576909109		
<b>Provisional Ref.:</b>			
<b>Range:</b>	57690 APOLO		
<b>Code EAN:</b>	8421797769062		
<b>Measures (mm):</b>	0110-0125-0032	<b>Weight (kg):</b>	0.25

**TECHNICAL INFO**

<b>Lampholder/Watts:</b>	LED 5W	<b>Switch:</b>	No	<b>Transformer:</b>	Yes
<b>Bulb included:</b>	Yes - SMD	<b>Dimmer:</b>	No	<b>Voltage/Frequence:</b>	230V - 50Hz
<b>CCT:</b>	3000K	<b>Efi:</b>	A++..A	<b>Shade:</b>	No
<b>Lm:</b>	281.45	<b>Ra:</b>	84.4	<b>Shrink wrap:</b>	No
<b>Class:</b>	II	<b>Bulk:</b>	No	<b>Applied Standard:</b>	CE / LVD
<b>IP:</b>	44	<b>McAdam:</b>	1.1	<b>Power:</b>	4.7W

**PACKAGING DETAILS**

	Individual Box	Outer Box	Master Box
<b>Type:</b>	MDC- COLORS / COULEUR	MDC - MARRON / BROWN	
<b>Units:</b>	1.00	24.00	0.00
<b>Measures:</b>	0135-0050-0095	0425-0225-0225	___-___-___
<b>Gross Weight (kg):</b>	0.34	9.10	-
<b>CTN 40':</b>	62.466,00		

**OBSERVATIONS**

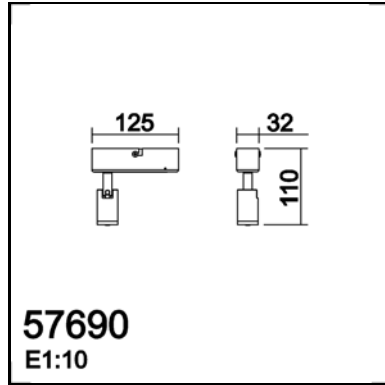
---

---

---

---

---



**TECHNICAL DATA N°** 2.904 - 576908103

**LAMP INFO**

<b>Description:</b>	FOCO APOLO B1, LED 1*5W 500lm (blanco mate) IP44		
<b>Mark:</b>	10003 SL Spot Light		
<b>Reference:</b>	576908103		
<b>Provisional Ref.:</b>			
<b>Range:</b>	57690 APOLO		
<b>Code EAN:</b>	8421797769086		
<b>Measures (mm):</b>	0110-0125-0032	<b>Weight (kg):</b>	0.25

**TECHNICAL INFO**

<b>Lampholder/Watts:</b>	LED 5W	<b>Switch:</b>	No	<b>Transformer:</b>	Yes
<b>Bulb included:</b>	Yes - SMD	<b>Dimmer:</b>	No	<b>Voltage/Frequence:</b>	230V - 50Hz
<b>CCT:</b>	4000K	<b>Efi:</b>	A++..A	<b>Shade:</b>	No
<b>Lm:</b>	281.45	<b>Ra:</b>	84.4	<b>Shrink wrap:</b>	No
<b>Class:</b>	II	<b>Bulk:</b>	No	<b>Applied Standard:</b>	CE / LVD
<b>IP:</b>	44	<b>McAdam:</b>	1.1	<b>Power:</b>	4.7W

**PACKAGING DETAILS**

	Individual Box	Outer Box	Master Box
<b>Type:</b>	MDC- COLORS / COULEUR	MDC - MARRON / BROWN	
<b>Units:</b>	1.00	24.00	0.00
<b>Measures:</b>	0135-0050-0095	0425-0225-0225	_____
<b>Gross Weight (kg):</b>	0.34	9.10	-
<b>CTN 40':</b>	62.466,00		

**OBSERVATIONS**

---

---

---

---

---