

**TECHNICAL DATA N°** 3.162 -576869105

**LAMP INFO**

<b>Description:</b>	WL TIWALL KIT Negro Mate LED 12W 450mm 4000K IP44		
<b>Mark:</b>	10002 WL Wall Lamp		
<b>Reference:</b>	576869105		
<b>Provisional Ref.:</b>			
<b>Range:</b>	52410 MIWALL		
<b>Code EAN:</b>	8421797768690		
<b>Measures (mm):</b>	0040-0450-0110	<b>Weight (kg):</b>	0.25

<b>Lampholder/Watts:</b>	LED 12W	<b>CCT:</b>	4000K	<b>Switch:</b>	No
<b>Bulb included:</b>	Yes - SMD	<b>Lm:</b>	1000.42	<b>Dimmer:</b>	No
<b>Class:</b>	II	<b>Efi:</b>	A++..A	<b>Shade:</b>	No
<b>IP:</b>	20	<b>Ra:</b>	85.5	<b>Shrink wrap:</b>	No
<b>Transformer:</b>	Yes	<b>McAdam:</b>	5.1	<b>Applied Standard:</b>	CE / LVD
<b>Voltage/Frequency:</b>	230V - 50Hz	<b>Power:</b>	12.7W	<b>Bulk:</b>	No

**PACKAGING DETAILS**

	Individual Box	Outer Box	Master Box
<b>Type:</b>	MDC- COLORS / COULEUR	MDC - MARRON / BROWN (c)	
<b>Units:</b>	1.00	10.00	0.00
<b>Measures:</b>	0455-0115-0047	0510-0475-0130	
<b>Gross Weight (kg):</b>	0.44	5.30	-
<b>CTN 40':</b>	17.782,00		

**OBSERVATIONS**

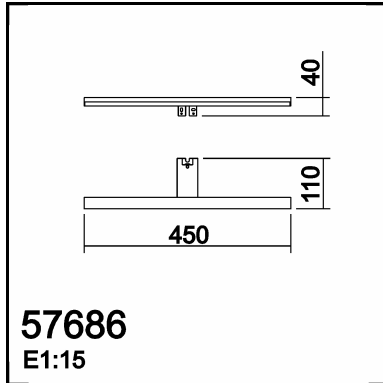
---

---

---

---

---



**TECHNICAL DATA N°** 3.006 -576863003

**LAMP INFO**

<b>Description:</b>	WL TIWALL KIT cromo brillo LED 12W 450mm 4K IP44		
<b>Mark:</b>	10002 WL Wall Lamp		
<b>Reference:</b>	576863003		
<b>Provisional Ref.:</b>			
<b>Range:</b>	52410 MIWALL		
<b>Code EAN:</b>	8421797768638		
<b>Measures (mm):</b>	0040-0450-0110	<b>Weight (kg):</b>	0.25

<b>Lampholder/Watts:</b>	LED 12W	<b>CCT:</b>	4000K	<b>Switch:</b>	No
<b>Bulb included:</b>	Yes - SMD	<b>Lm:</b>	1000.42	<b>Dimmer:</b>	No
<b>Class:</b>	II	<b>Efi:</b>	A++..A	<b>Shade:</b>	No
<b>IP:</b>	20	<b>Ra:</b>	85.5	<b>Shrink wrap:</b>	No
<b>Transformer:</b>	Yes	<b>McAdam:</b>	5.1	<b>Applied Standard:</b>	CE / LVD
<b>Voltage/Frequency:</b>	230V - 50Hz	<b>Power:</b>	12.7W	<b>Bulk:</b>	No

**PACKAGING DETAILS**

	Individual Box	Outer Box	Master Box
<b>Type:</b>	MDC- COLORS / COULEUR	MDC - MARRON / BROWN (c)	
<b>Units:</b>	1.00	10.00	0.00
<b>Measures:</b>	0455-0115-0047	0510-0475-0130	
<b>Gross Weight (kg):</b>	0.44	5.30	-
<b>CTN 40':</b>	17.782,00		

**OBSERVATIONS**

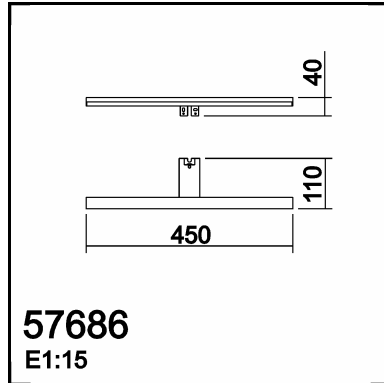
---

---

---

---

---



**TECHNICAL DATA N°** 3.164 -576869109

**LAMP INFO**

<b>Description:</b>	WL TIWALL KIT Negro Mate LED 12W 450mm 3000K IP44		
<b>Mark:</b>	10002 WL Wall Lamp		
<b>Reference:</b>	576869109		
<b>Provisional Ref.:</b>			
<b>Range:</b>	52410 MIWALL		
<b>Code EAN:</b>	8421797768652		
<b>Measures (mm):</b>	0040-0450-0110	<b>Weight (kg):</b>	0.25

<b>Lampholder/Watts:</b>	LED 12W	<b>CCT:</b>	3000K	<b>Switch:</b>	No
<b>Bulb included:</b>	Yes - SMD	<b>Lm:</b>	1218.80	<b>Dimmer:</b>	No
<b>Class:</b>	II	<b>Efi:</b>	A++,A	<b>Shade:</b>	No
<b>IP:</b>	20	<b>Ra:</b>	84.3	<b>Shrink wrap:</b>	No
<b>Transformer:</b>	Yes	<b>McAdam:</b>	2.0	<b>Applied Standard:</b>	CE / LVD
<b>Voltage/Frequency:</b>	230V - 50Hz	<b>Power:</b>	12.0W	<b>Bulk:</b>	No

**PACKAGING DETAILS**

	<b>Individual Box</b>	<b>Outer Box</b>	<b>Master Box</b>
<b>Type:</b>	MDC- COLORS / COULEUR	MDC - MARRON / BROWN (c)	
<b>Units:</b>	1.00	10.00	0.00
<b>Measures:</b>	0455-0115-0047	0510-0475-0130	
<b>Gross Weight (kg):</b>	0.44	5.30	-
<b>CTN 40':</b>	17.782,00		

**OBSERVATIONS**

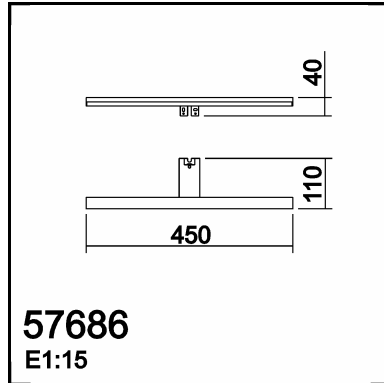
---

---

---

---

---



**TECHNICAL DATA N°** 3.163 -576863009

**LAMP INFO**

<b>Description:</b>	WL TIWALL KIT cromo brillo LED 12W 450mm 3K IP44		
<b>Mark:</b>	10002 WL Wall Lamp		
<b>Reference:</b>	576863009		
<b>Provisional Ref.:</b>			
<b>Range:</b>	52410 MIWALL		
<b>Code EAN:</b>	8421797768621		
<b>Measures (mm):</b>	0040-0450-0110	<b>Weight (kg):</b>	0.25

<b>Lampholder/Watts:</b>	LED 12W	<b>CCT:</b>	3000K	<b>Switch:</b>	No
<b>Bulb included:</b>	Yes - SMD	<b>Lm:</b>	1218.80	<b>Dimmer:</b>	No
<b>Class:</b>	II	<b>Efi:</b>	A++,A	<b>Shade:</b>	No
<b>IP:</b>	20	<b>Ra:</b>	84.3	<b>Shrink wrap:</b>	No
<b>Transformer:</b>	Yes	<b>McAdam:</b>	2.0	<b>Applied Standard:</b>	CE / LVD
<b>Voltage/Frequency:</b>	230V - 50Hz	<b>Power:</b>	12.0W	<b>Bulk:</b>	No

**PACKAGING DETAILS**

	Individual Box	Outer Box	Master Box
<b>Type:</b>	MDC- COLORS / COULEUR	MDC - MARRON / BROWN (c)	
<b>Units:</b>	1.00	10.00	0.00
<b>Measures:</b>	0455-0115-0047	0510-0475-0130	
<b>Gross Weight (kg):</b>	0.44	5.30	-
<b>CTN 40':</b>	17.782,00		

**OBSERVATIONS**

---

---

---

---

---