

**TECHNICAL DATA N°** 3.130 -576843501

**LAMP INFO**

<b>Description:</b>	TL ROOMER L cromo mate 1xE27 USB		
<b>Mark:</b>	20001 TL Table Lamp		
<b>Reference:</b>	576843501		
<b>Provisional Ref.:</b>			
<b>Range:</b>	57680 ROOMER		
<b>Code EAN:</b>	8421797768430		
<b>Measures (mm):</b>	0365-0200-0200	<b>Weight (kg):</b>	-

**TECHNICAL INFO**

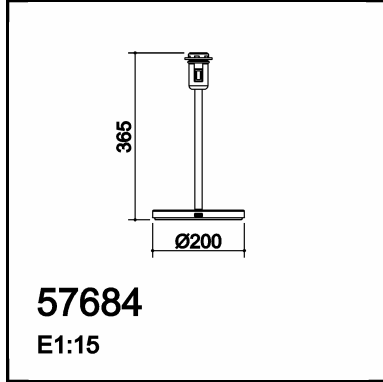
<b>Lampholder/Watts:</b>	E14 max.40W	<b>Switch:</b>	Rocker Lampholder	<b>Transformer:</b>	No
<b>Bulb included:</b>	No	<b>Dimmer:</b>	No	<b>Voltage/Frequence:</b>	230V - 50Hz
<b>CCT:</b>	-	<b>Efi:</b>	-	<b>Shade:</b>	No
<b>Lm:</b>	-	<b>Ra:</b>	-	<b>Shrink wrap:</b>	No
<b>Class:</b>	II	<b>Bulk:</b>	No	<b>Applied Standard:</b>	CE / LVD
<b>IP:</b>	20	<b>McAdam:</b>	-	<b>Power:</b>	-

**PACKAGING DETAILS**

	Individual Box	Outer Box	Master Box
<b>Type:</b>	MDC-MARRON / BROWN	MDC - MARRON / BROWN	
<b>Units:</b>	1.00	4.00	0.00
<b>Measures:</b>	0400-0245-0245	0475-0475-0410	___-___-___
<b>Gross Weight (kg):</b>	-	-	-
<b>CTN 40':</b>	2.421,00		

**OBSERVATIONS**

USB 5V 2A



**TECHNICAL DATA N°** 3.133 -576848101

**LAMP INFO**

<b>Description:</b>	TL ROOMER L blanco mate 1xE27 USB		
<b>Mark:</b>	20001 TL Table Lamp		
<b>Reference:</b>	576848101		
<b>Provisional Ref.:</b>			
<b>Range:</b>	57680 ROOMER		
<b>Code EAN:</b>	8421797768485		
<b>Measures (mm):</b>	0365-0200-0200	<b>Weight (kg):</b>	-

**TECHNICAL INFO**

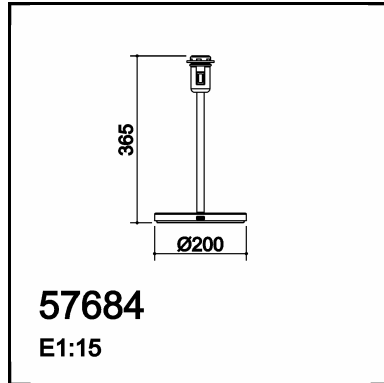
<b>Lampholder/Watts:</b>	E14 max.40W	<b>Switch:</b>	Rocker Lampholder	<b>Transformer:</b>	No
<b>Bulb included:</b>	No	<b>Dimmer:</b>	No	<b>Voltage/Frequence:</b>	230V - 50Hz
<b>CCT:</b>	-	<b>Efi:</b>	-	<b>Shade:</b>	No
<b>Lm:</b>	-	<b>Ra:</b>	-	<b>Shrink wrap:</b>	No
<b>Class:</b>	II	<b>Bulk:</b>	No	<b>Applied Standard:</b>	CE / LVD
<b>IP:</b>	20	<b>McAdam:</b>	-	<b>Power:</b>	-

**PACKAGING DETAILS**

	Individual Box	Outer Box	Master Box
<b>Type:</b>	MDC-MARRON / BROWN	MDC - MARRON / BROWN	
<b>Units:</b>	1.00	4.00	0.00
<b>Measures:</b>	0400-0245-0245	0475-0475-0410	___-___-___
<b>Gross Weight (kg):</b>	-	-	-
<b>CTN 40':</b>	2.421,00		

**OBSERVATIONS**

USB 5V 2A



**TECHNICAL DATA N°** 3.132 -576846101

**LAMP INFO**

<b>Description:</b>	TL ROOMER L latón mate 1xE27 USB		
<b>Mark:</b>	20001 TL Table Lamp		
<b>Reference:</b>	576846101		
<b>Provisional Ref.:</b>			
<b>Range:</b>	57680 ROOMER		
<b>Code EAN:</b>	8421797768461		
<b>Measures (mm):</b>	0365-0200-0200	<b>Weight (kg):</b>	-

**TECHNICAL INFO**

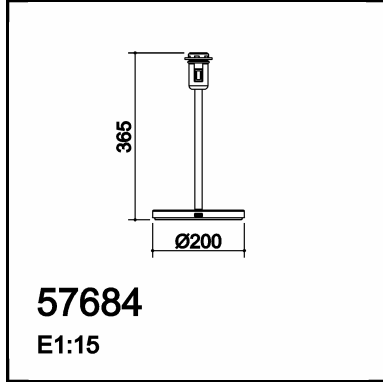
<b>Lampholder/Watts:</b>	E14 max.40W	<b>Switch:</b>	Rocker Lampholder	<b>Transformer:</b>	No
<b>Bulb included:</b>	No	<b>Dimmer:</b>	No	<b>Voltage/Frequence:</b>	230V - 50Hz
<b>CCT:</b>	-	<b>Efi:</b>	-	<b>Shade:</b>	No
<b>Lm:</b>	-	<b>Ra:</b>	-	<b>Shrink wrap:</b>	No
<b>Class:</b>	II	<b>Bulk:</b>	No	<b>Applied Standard:</b>	CE / LVD
<b>IP:</b>	20	<b>McAdam:</b>	-	<b>Power:</b>	-

**PACKAGING DETAILS**

	Individual Box	Outer Box	Master Box
<b>Type:</b>	MDC-MARRON / BROWN	MDC - MARRON / BROWN	
<b>Units:</b>	1.00	4.00	0.00
<b>Measures:</b>	0400-0245-0245	0475-0475-0410	___-___-___
<b>Gross Weight (kg):</b>	-	-	-
<b>CTN 40':</b>	2.421,00		

**OBSERVATIONS**

USB 5V 2A



**TECHNICAL DATA N°** 3.131 -576844301

**LAMP INFO**

<b>Description:</b>	TL ROOMER L medalla 1xE27 USB		
<b>Mark:</b>	20001 TL Table Lamp		
<b>Reference:</b>	576844301		
<b>Provisional Ref.:</b>			
<b>Range:</b>	57680 ROOMER		
<b>Code EAN:</b>	8421797768447		
<b>Measures (mm):</b>	0365-0200-0200	<b>Weight (kg):</b>	-

**TECHNICAL INFO**

<b>Lampholder/Watts:</b>	E14 max.40W	<b>Switch:</b>	Rocker Lampholder	<b>Transformer:</b>	No
<b>Bulb included:</b>	No	<b>Dimmer:</b>	No	<b>Voltage/Frequence:</b>	230V - 50Hz
<b>CCT:</b>	-	<b>Efi:</b>	-	<b>Shade:</b>	No
<b>Lm:</b>	-	<b>Ra:</b>	-	<b>Shrink wrap:</b>	No
<b>Class:</b>	II	<b>Bulk:</b>	No	<b>Applied Standard:</b>	CE / LVD
<b>IP:</b>	20	<b>McAdam:</b>	-	<b>Power:</b>	-

**PACKAGING DETAILS**

	Individual Box	Outer Box	Master Box
<b>Type:</b>	MDC-MARRON / BROWN	MDC - MARRON / BROWN	
<b>Units:</b>	1.00	4.00	0.00
<b>Measures:</b>	0400-0245-0245	0475-0475-0410	___-___-___
<b>Gross Weight (kg):</b>	-	-	-
<b>CTN 40':</b>	2.421,00		

**OBSERVATIONS**

USB 5V 2A