

TECHNICAL DATA N° 2.988 - 576823521

LAMP INFO

Description:	APLIQUE ROOMER, E27 (cromo mate)		
Mark:	10002 WL Wall Lamp		
Reference:	576823521		
Provisional Ref.:			
Range:	57680 ROOMER		
Code EAN:	8421797768232		
Measures (mm):	0165-0120-0165	Weight (kg):	0.60

TECHNICAL INFO

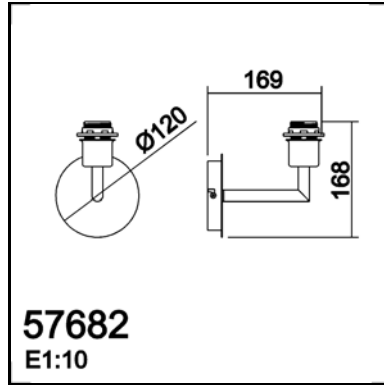
Lampholder/Watts:	E27 max.40W	Switch:	No	Transformer:	No
Bulb included:	No	Dimmer:	No	Voltage/Frequence:	230V - 50Hz
CCT:	-	Efi:	A++..E	Shade:	No
Lm:	-	Ra:	-	Shrink wrap:	No
Class:	II	Bulk:	No	Applied Standard:	CE / LVD
IP:	20	McAdam:	-	Power:	-

PACKAGING DETAILS

	Individual Box	Outer Box	Master Box
Type:	MDC-MARRON / BROWN	MDC - MARRON / BROWN	
Units:	1.00	8.00	0.00
Measures:	0215-0160-0205	0450-0340-0435	_____
Gross Weight (kg):	0.70	6.50	-
CTN 40°:	6.731,00		

OBSERVATIONS

shade ref. 51996



TECHNICAL DATA Nº 2.990 - 576824421

LAMP INFO

Description:	APLIQUE ROOMER, E27 (medalla)		
Mark:	10002 WL Wall Lamp		
Reference:	576824421		
Provisional Ref.:			
Range:	57680 ROOMER		
Code EAN:	8421797768249		
Measures (mm):	0165-0120-0165	Weight (kg):	0.60

TECHNICAL INFO

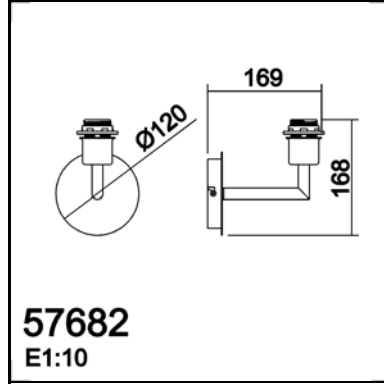
Lampholder/Watts:	E27 max.40W	Switch:	No	Transformer:	No
Bulb included:	No	Dimmer:	No	Voltage/Frequence:	230V - 50Hz
CCT:	-	Efi:	A++..E	Shade:	No
Lm:	-	Ra:	-	Shrink wrap:	No
Class:	II	Bulk:	No	Applied Standard:	CE / LVD
IP:	20	McAdam:	-	Power:	-

PACKAGING DETAILS

	Individual Box	Outer Box	Master Box
Type:	MDC-MARRON / BROWN	MDC - MARRON / BROWN	
Units:	1.00	8.00	0.00
Measures:	0215-0160-0205	0450-0340-0435	_____
Gross Weight (kg):	0.70	6.50	-
CTN 40':	6.731,00		

OBSERVATIONS

shade ref. 51996



TECHNICAL DATA Nº 2.989 - 576826121

LAMP INFO

Description:	APLIQUE ROOMER, E27 (latón mate)		
Mark:	10002 WL Wall Lamp		
Reference:	576826121		
Provisional Ref.:			
Range:	57680 ROOMER		
Code EAN:	8421797768263		
Measures (mm):	0165-0120-0165	Weight (kg):	0.60

TECHNICAL INFO

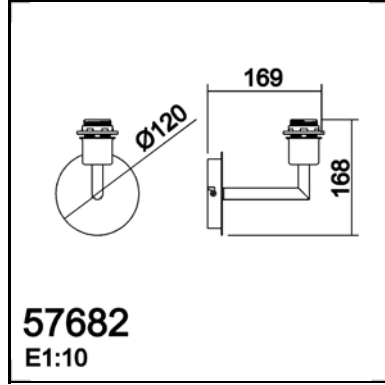
Lampholder/Watts:	E27 max.40W	Switch:	No	Transformer:	No
Bulb included:	No	Dimmer:	No	Voltage/Frequence:	230V - 50Hz
CCT:	-	Efi:	A++..E	Shade:	No
Lm:	-	Ra:	-	Shrink wrap:	No
Class:	II	Bulk:	No	Applied Standard:	CE / LVD
IP:	20	McAdam:	-	Power:	-

PACKAGING DETAILS

	Individual Box	Outer Box	Master Box
Type:	MDC-MARRON / BROWN	MDC - MARRON / BROWN	
Units:	1.00	8.00	0.00
Measures:	0215-0160-0205	0450-0340-0435	_____
Gross Weight (kg):	0.70	6.50	-
CTN 40':	6.731,00		

OBSERVATIONS

shade ref. 51996



TECHNICAL DATA Nº 2.987 - 576828121

LAMP INFO

Description:	APLIQUE ROOMER, E27 (blanco)		
Mark:	10002 WL Wall Lamp		
Reference:	576828121		
Provisional Ref.:			
Range:	57680 ROOMER		
Code EAN:	8421797768287		
Measures (mm):	0165-0120-0165	Weight (kg):	0.60

TECHNICAL INFO

Lampholder/Watts:	E27 max.40W	Switch:	No	Transformer:	No
Bulb included:	No	Dimmer:	No	Voltage/Frequence:	230V - 50Hz
CCT:	-	Efi:	A++..E	Shade:	No
Lm:	-	Ra:	-	Shrink wrap:	No
Class:	II	Bulk:	No	Applied Standard:	CE / LVD
IP:	20	McAdam:	-	Power:	-

PACKAGING DETAILS

	Individual Box	Outer Box	Master Box
Type:	MDC-MARRON / BROWN	MDC - MARRON / BROWN	
Units:	1.00	8.00	0.00
Measures:	0215-0160-0205	0450-0340-0435	_____
Gross Weight (kg):	0.70	6.50	-
CTN 40':	6.731,00		

OBSERVATIONS

shade ref. 51996