

TECHNICAL DATA 576808121

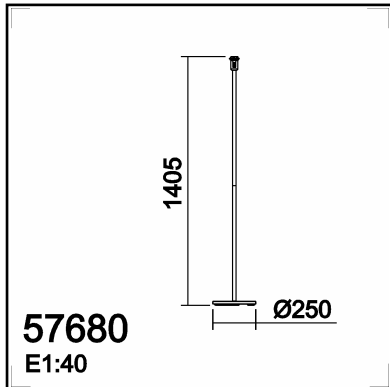
LAMP INFO	
Description:	LAMP PIE ROOMER, 1*E27(Blanco)
Mark:	20000 FL Floor Lamp
Reference:	576808121
Range:	57680 ROOMER
Code EAN:	8421797768089
Measures (mm):	1405-0250-0250
Weight (kg):	3.40

Lampholder/Watts:	E27 LED max.20W	CCT:	-	Switch:	Rocker Lampholder
Bulb included:	No	Lm:	-	USB_C:	No
Class:	Class II	Effi LS:	-	Shade:	No
IP:	20	CRI:	-	Dimmable:	No
Driver inc.:	No	Lamp Power:	-		
Voltage/Frequence:	230V - 50Hz	Applied Standard:	CE / LVD		

PACKAGING DETAILS			
	Individual Box	Outer Box	Master Box
Type:	MDC - BROWN PRINTED	MDC - MARRON / BROWN	
Units:	1.00	2.00	0.00
Measures:	0825-0275-0120	0290-0260-0840	
Gross Weight (kg):	3.70	10.20	-
CTN 40':	1.768,00		

OBSERVATIONS

Shade ref. 51994 / 51160



TECHNICAL DATA 576803521

LAMP INFO

Description:	LAMP PIE ROOMER, 1*E27(cr. mate)
Mark:	20000 FL Floor Lamp
Reference:	576803521
Range:	57680 ROOMER
Code EAN:	8421797768034
Measures (mm):	1405-0250-0250
Weight (kg):	3.40

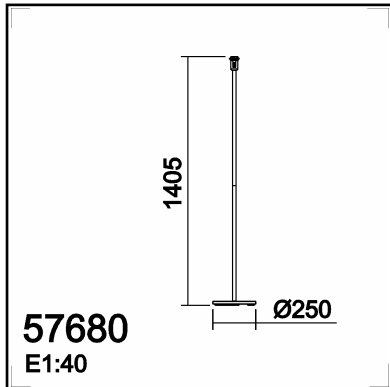
Lampholder/Watts:	E27 LED max.20W	CCT:	-	Switch:	Rocker Lampholder
Bulb included:	No	Lm:	-	USB_C:	No
Class:	Class II	Effi LS:	-	Shade:	No
IP:	20	CRI:	-	Dimmable:	No
Driver inc.:	No	Lamp Power:	-		
Voltage/Frequence:	230V - 50Hz	Applied Standard:	CE / LVD		

PACKAGING DETAILS

	Individual Box	Outer Box	Master Box
Type:	MDC - BROWN PRINTED	MDC - MARRON / BROWN	
Units:	1.00	2.00	0.00
Measures:	0825-0275-0120	0290-0260-0840	
Gross Weight (kg):	3.70	10.20	-
CTN 40':	1.768,00		

OBSERVATIONS

Shade ref. 51994 / 51160



TECHNICAL DATA 576806121

LAMP INFO

Description:	LAMP PIE ROOMER, 1*E27(latón mate)
Mark:	20000 FL Floor Lamp
Reference:	576806121
Range:	57680 ROOMER
Code EAN:	8421797768065
Measures (mm):	1405-0250-0250
Weight (kg):	3.40

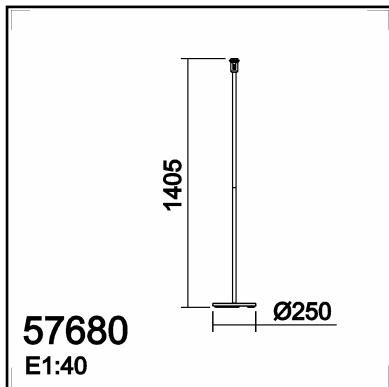
Lampholder/Watts:	E27 LED max.20W	CCT:	-	Switch:	Rocker Lampholder
Bulb included:	No	Lm:	-	USB_C:	No
Class:	Class II	Effi LS:	-	Shade:	No
IP:	20	CRI:	-	Dimmable:	No
Driver inc.:	No	Lamp Power:	-		
Voltage/Frequence:	230V - 50Hz	Applied Standard:	CE / LVD		

PACKAGING DETAILS

	Individual Box	Outer Box	Master Box
Type:	MDC - BROWN PRINTED	MDC - MARRON / BROWN	
Units:	1.00	2.00	0.00
Measures:	0825-0275-0120	0290-0260-0840	_____
Gross Weight (kg):	3.70	10.20	-
CTN 40':	1.768,00		

OBSERVATIONS

Shade ref. 51994 / 51160



TECHNICAL DATA 576804421

LAMP INFO	
Description:	LAMP PIE ROOMER, 1*E27(medalla)
Mark:	20000 FL Floor Lamp
Reference:	576804421
Range:	57680 ROOMER
Code EAN:	8421797768041
Measures (mm):	1405-0250-0250
Weight (kg):	3.40

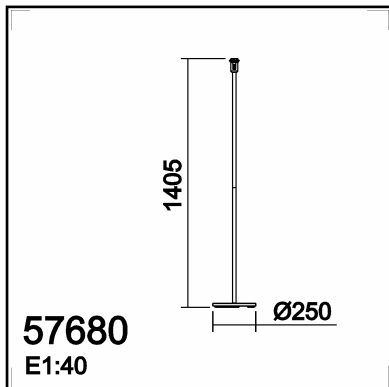
Lampholder/Watts:	E27 LED max.20W	CCT:	-	Switch:	Rocker Lampholder
Bulb included:	No	Lm:	-	USB_C:	No
Class:	Class II	Effi LS:	-	Shade:	No
IP:	20	CRI:	-	Dimmable:	No
Driver inc.:	No	Lamp Power:	-		
Voltage/Frequence:	230V - 50Hz	Applied Standard:	CE / LVD		

PACKAGING DETAILS

	Individual Box	Outer Box	Master Box
Type:	MDC - BROWN PRINTED	MDC - MARRON / BROWN	
Units:	1.00	2.00	0.00
Measures:	0825-0275-0120	0290-0260-0840	_____
Gross Weight (kg):	3.70	10.20	-
CTN 40':	1.768,00		

OBSERVATIONS

Shade ref. 51994 / 51160



TECHNICAL DATA 576809121

LAMP INFO	
Description:	LAMP PIE ROOMER, 1*E27 (Negro)
Mark:	20000 FL Floor Lamp
Reference:	576809121
Range:	57680 ROOMER
Code EAN:	8421797768010
Measures (mm):	1405-0250-0250
Weight (kg):	3.40

Lampholder/Watts:	E27 LED max.20W	CCT:	-	Switch:	Rocker Lampholder
Bulb included:	No	Lm:	-	USB_C:	No
Class:	Class II	Effi LS:	-	Shade:	No
IP:	20	CRI:	-	Dimmable:	No
Driver inc.:	No	Lamp Power:	-		
Voltage/Frequence:	230V - 50Hz	Applied Standard:	CE / LVD		

PACKAGING DETAILS

	Individual Box	Outer Box	Master Box
Type:	MDC - BROWN PRINTED	MDC - MARRON / BROWN	
Units:	1.00	2.00	0.00
Measures:	0825-0275-0120	0290-0260-0840	_____
Gross Weight (kg):	3.70	10.20	-
CTN 40':	1.768,00		

OBSERVATIONS

Shade ref. 51994 / 51160
