

TECHNICAL DATA 576728001

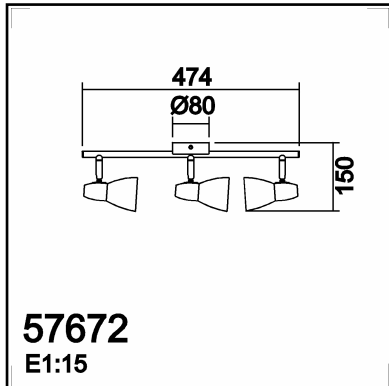
LAMP INFO	
Description:	FOCO SALSA, tubo 3"E14 (blanco)
Mark:	10003 SL Spot Light
Reference:	576728001
Range:	57670 SALSA
Code EAN:	8421797767280
Measures (mm):	0150-0474-0080
Weight (kg):	0.74

Lampholder/Watts:	3xE14 LED max.9W	CCT:	-	Switch:	No
Bulb included:	No	Lm:	-	USB_C:	No
Class:	Class I	Effi LS:	-	Shade:	No
IP:	20	CRI:	-	Dimmable:	No
Driver inc.:	No	Lamp Power:	-		
Voltage/Frequence:	230V - 50Hz	Applied Standard:	CE / LVD		

PACKAGING DETAILS

	Individual Box	Outer Box	Master Box
Type:	MDC - BROWN PRINTED	MDC - MARRON / BROWN	
Units:	1.00	8.00	0.00
Measures:	0510-0125-0090	0520-0380-0270	_____
Gross Weight (kg):	1.12	8.82	-
CTN 40':	8.397,00		

OBSERVATIONS



TECHNICAL DATA 576723501

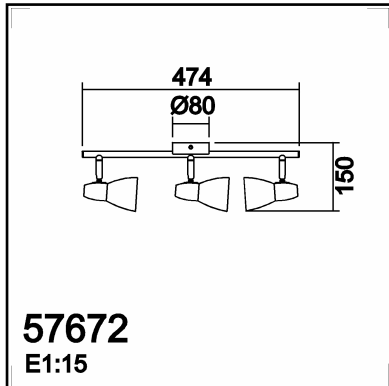
LAMP INFO	
Description:	FOCO SALSA, tubo 3"E14 (cromo mate)
Mark:	10003 SL Spot Light
Reference:	576723501
Range:	57670 SALSA
Code EAN:	8421797767235
Measures (mm):	0150-0474-0080
Weight (kg):	0.74

Lampholder/Watts:	3xE14 LED max.9W	CCT:	-	Switch:	No
Bulb included:	No	Lm:	-	USB_C:	No
Class:	Class I	Effi LS:	-	Shade:	No
IP:	20	CRI:	-	Dimmable:	No
Driver inc.:	No	Lamp Power:	-		
Voltage/Frequence:	230V - 50Hz	Applied Standard:	CE / LVD		

PACKAGING DETAILS

	Individual Box	Outer Box	Master Box
Type:	MDC - BROWN PRINTED	MDC - MARRON / BROWN	
Units:	1.00	8.00	0.00
Measures:	0510-0125-0090	0520-0380-0270	_____
Gross Weight (kg):	1.12	8.82	-
CTN 40°:	8.397,00		

OBSERVATIONS



TECHNICAL DATA 576724401

LAMP INFO

Description:	FOCO SALSA, tubo 3*E14 (medalla)		
Mark:	10003	SL Spot Light	
Reference:	576724401		
Range:	57670	SALSA	
Code EAN:	8421797767242		
Measures (mm):	0150-0474-0080		
Weight (kg):	0.74		

Lampholder/Watts:	3xE14 LED max.9W	CCT:	-	Switch:	No
Bulb included:	No	Lm:	-	USB_C:	No
Class:	Class I	Effi LS:	-	Shade:	No
IP:	20	CRI:	-	Dimmable:	No
Driver inc.:	No	Lamp Power:	-		
Voltage/Frequence:	230V - 50Hz	Applied Standard:	CE / LVD		

PACKAGING DETAILS

	Individual Box	Outer Box	Master Box
Type:	MDC - BROWN PRINTED	MDC - MARRON / BROWN	
Units:	1.00	8.00	0.00
Measures:	0510-0125-0090	0520-0380-0270	_____
Gross Weight (kg):	1.12	8.82	-
CTN 40':	8.397,00		

OBSERVATIONS
