

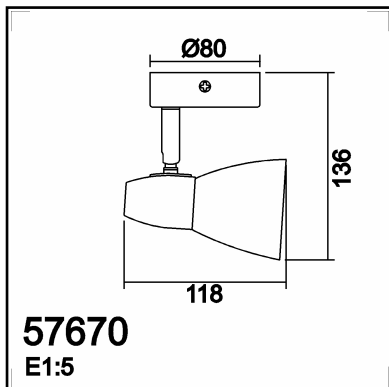
TECHNICAL DATA 576708001

LAMP INFO	
Description:	FOCO SALSA, base 1*E14 (blanco)
Mark:	10003 SL Spot Light
Reference:	576708001
Range:	57670 SALSA
Code EAN:	8421797767082
Measures (mm):	0136-0118-0080
Weight (kg):	0.30

Lampholder/Watts:	E14 LED max.9W	CCT:	-	Switch:	No
Bulb included:	No	Lm:	-	USB_C:	No
Class:	Class I	Effi LS:	-	Shade:	No
IP:	20	CRI:	-	Dimmable:	No
Driver inc.:	No	Lamp Power:	-		
Voltage/Frequence:	230V - 50Hz	Applied Standard:	CE / LVD		

PACKAGING DETAILS			
	Individual Box	Outer Box	Master Box
Type:	MDC - BROWN PRINTED	MDC - MARRON / BROWN (c)	
Units:	1.00	16.00	0.00
Measures:	0110-0125-0090	0380-0235-0270	
Gross Weight (kg):	0.38	5.83	-
CTN 40':	37.161,00		

OBSERVATIONS



TECHNICAL DATA 576703501

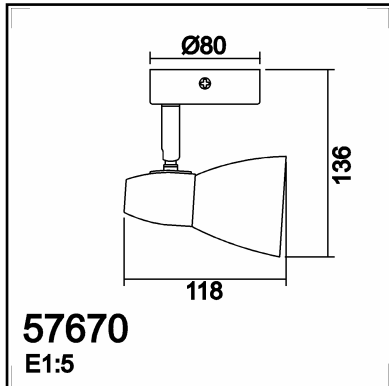
LAMP INFO	
Description:	FOCO SALSA, base 1*E14 (cromo mate)
Mark:	10003 SL Spot Light
Reference:	576703501
Range:	57670 SALSA
Code EAN:	8421797767037
Measures (mm):	0136-0118-0080
Weight (kg):	0.30

Lampholder/Watts:	E14 LED max.9W	CCT:	-	Switch:	No
Bulb included:	No	Lm:	-	USB_C:	No
Class:	Class I	Effi LS:	-	Shade:	No
IP:	20	CRI:	-	Dimmable:	No
Driver inc.:	No	Lamp Power:	-		
Voltage/Frequence:	230V - 50Hz	Applied Standard:	CE / LVD		

PACKAGING DETAILS

	Individual Box	Outer Box	Master Box
Type:	MDC - BROWN PRINTED	MDC - MARRON / BROWN (c)	
Units:	1.00	16.00	0.00
Measures:	0110-0125-0090	0380-0235-0270	_____
Gross Weight (kg):	0.38	5.83	-
CTN 40':	37.161,00		

OBSERVATIONS



TECHNICAL DATA 576704401

LAMP INFO

Description:	FOCO SALSA, base 1*E14 (medalla)		
Mark:	10003	SL Spot Light	
Reference:	576704401		
Range:	57670	SALSA	
Code EAN:	8421797767044		
Measures (mm):	0136-0118-0080		
Weight (kg):	0.30		

Lampholder/Watts:	E14 LED max.9W	CCT:	-	Switch:	No
Bulb included:	No	Lm:	-	USB_C:	No
Class:	Class I	Effi LS:	-	Shade:	No
IP:	20	CRI:	-	Dimmable:	No
Driver inc.:	No	Lamp Power:	-		
Voltage/Frequence:	230V - 50Hz	Applied Standard:	CE / LVD		

PACKAGING DETAILS

	Individual Box	Outer Box	Master Box
Type:	MDC - BROWN PRINTED	MDC - MARRON / BROWN (c)	
Units:	1.00	16.00	0.00
Measures:	0110-0125-0090	0380-0235-0270	_____
Gross Weight (kg):	0.38	5.83	-
CTN 40':	37.161,00		

OBSERVATIONS
