

TECHNICAL DATA Nº 2.888 - 576573221

LAMP INFO

Description:	SUSPENSION ATLAS, E27 (gris)		
Mark:	10000 PD Pendant		
Reference:	576573221		
Provisional Ref.:			
Range:	57657 ATLAS		
Code EAN:	8421797765736		
Measures (mm):	1500-0255-0255	Weight (kg):	1.10

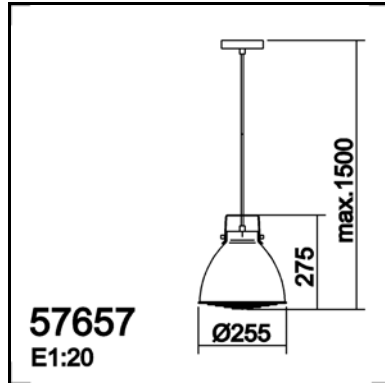
TECHNICAL INFO

Lampholder/Watts:	E27 max.60W	Switch:	No	Transformer:	No
Bulb included:	No	Dimmer:	No	Voltage/Frequence:	230V - 50Hz
CCT:	-	Efi:	A++..E	Shade:	No
Lm:	-	Ra:	-	Shrink wrap:	No
Class:	I	Bulk:	No	Applied Standard:	CE / LVD
IP:	20	McAdam:	-	Power:	-

PACKAGING DETAILS

	Individual Box	Outer Box	Master Box
Type:	MDC-BLANC+ETIQ COLORS / WHITE		
Units:	1.00	0.00	0.00
Measures:	0280-0280-0280	_____	_____
Gross Weight (kg):	1.50	-	-
CTN 40':	2.551,00		

OBSERVATIONS



TECHNICAL DATA Nº 2.950 -576578021

LAMP INFO

Description:	SUSPENSION ATLAS, E27 (blanca)		
Mark:	10000 PD Pendant		
Reference:	576578021		
Provisional Ref.:			
Range:	57657 ATLAS		
Code EAN:	8421797765781		
Measures (mm):	1500-0255-0255	Weight (kg):	1.10

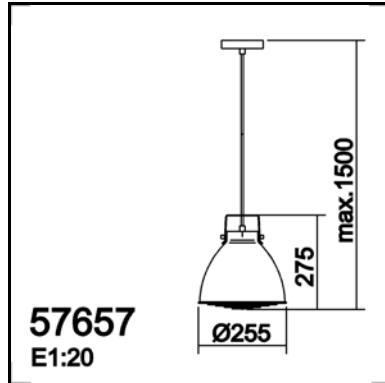
TECHNICAL INFO

Lampholder/Watts:	E27 max.60W	Switch:	No	Transformer:	No
Bulb included:	No	Dimmer:	No	Voltage/Frequence:	230V - 50Hz
CCT:	-	Efi:	A++..E	Shade:	No
Lm:	-	Ra:	-	Shrink wrap:	No
Class:	I	Bulk:	No	Applied Standard:	CE / LVD
IP:	20	McAdam:	-	Power:	-

PACKAGING DETAILS

	Individual Box	Outer Box	Master Box
Type:	MDC-BLANC+ETIQ COLORS / WHITE		
Units:	1.00	0.00	0.00
Measures:	0280-0280-0280	___-___-___	___-___-___
Gross Weight (kg):	1.50	-	-
CTN 40':	2.551,00		

OBSERVATIONS



TECHNICAL DATA Nº 2.949 -576579021

LAMP INFO

Description:	SUSPENSION ATLAS, E27 (negro)		
Mark:	10000 PD Pendant		
Reference:	576579021		
Provisional Ref.:			
Range:	57657 ATLAS		
Code EAN:	8421797765798		
Measures (mm):	1500-0255-0255	Weight (kg):	1.10

TECHNICAL INFO

Lampholder/Watts:	E27 max.60W	Switch:	No	Transformer:	No
Bulb included:	No	Dimmer:	No	Voltage/Frequence:	230V - 50Hz
CCT:	-	Efi:	A++..E	Shade:	No
Lm:	-	Ra:	-	Shrink wrap:	No
Class:	I	Bulk:	No	Applied Standard:	CE / LVD
IP:	20	McAdam:	-	Power:	-

PACKAGING DETAILS

	Individual Box	Outer Box	Master Box
Type:	MDC-BLANC+ETIQ COLORS / WHITE		
Units:	1.00	0.00	0.00
Measures:	0280-0280-0280	___-___-___	___-___-___
Gross Weight (kg):	1.50	-	-
CTN 40':	2.551,00		

OBSERVATIONS
