

TECHNICAL DATA N° 2.972 -576483002

LAMP INFO

Description:	APL. LINEA 50cm 10W 3000K (cromo) IP44		
Mark:	10002 WL Wall Lamp		
Reference:	576483002		
Provisional Ref.:			
Range:	52414 LERIA		
Code EAN:	8421797764838		
Measures (mm):	0065-0500-0032	Weight (kg):	0.30

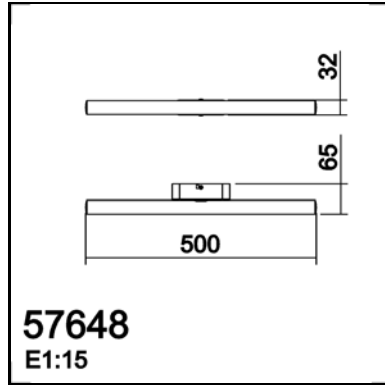
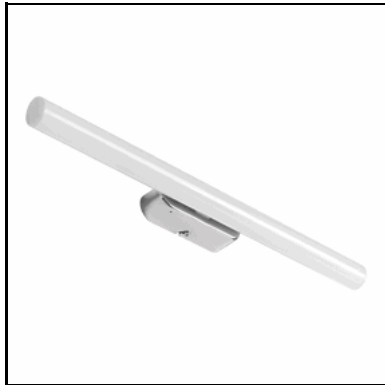
TECHNICAL INFO

Lampholder/Watts:	LED 10W	Switch:	No	Transformer:	No
Bulb included:	Yes - SMD	Dimmer:	No	Voltage/Frequence:	230V - 50Hz
CCT:	3000K	Efi:	A++..A	Shade:	No
Lm:	741.12	Ra:	84.9	Shrink wrap:	No
Class:	II	Bulk:	No	Applied Standard:	CE / LVD
IP:	44	McAdam:	2.1	Power:	9.6W

PACKAGING DETAILS

	Individual Box	Outer Box	Master Box
Type:	MDC- COLORS / COULEUR	MDC - MARRON / BROWN	
Units:	1.00	12.00	0.00
Measures:	0085-0530-0050	0280-0225-0550	_____
Gross Weight (kg):	0.40	5.30	-
CTN 40':	19.393,00		

OBSERVATIONS



TECHNICAL DATA N° 2.973 - 576483003

LAMP INFO

Description:	APL. LINEA 50cm 10W 4000K (cromo) IP44		
Mark:	10002 WL Wall Lamp		
Reference:	576483003		
Provisional Ref.:			
Range:	52414 LERIA		
Code EAN:	8421797764807		
Measures (mm):	0065-0500-0032	Weight (kg):	0.30

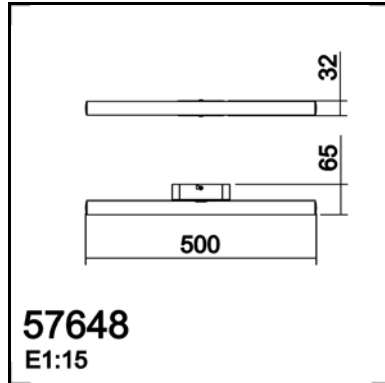
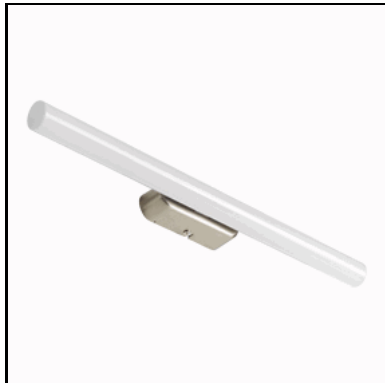
TECHNICAL INFO

Lampholder/Watts:	LED 10W	Switch:	No	Transformer:	No
Bulb included:	Yes - AC Tube	Dimmer:	No	Voltage/Frequence:	230V - 50Hz
CCT:	4000K	Efi:	25	Shade:	No
Lm:	873.24	Ra:	84.2	Shrink wrap:	No
Class:	II	Bulk:	No	Applied Standard:	CE / LVD
IP:	44	McAdam:	0.1	Power:	9.50W

PACKAGING DETAILS

	Individual Box	Outer Box	Master Box
Type:	MDC - COLORS / COULEUR	MDC - MARRON / BROWN	
Units:	1.00	12.00	0.00
Measures:	0085-0530-0050	0280-0225-0550	_____
Gross Weight (kg):	0.40	5.30	-
CTN 40':	19.393,00		

OBSERVATIONS



TECHNICAL DATA N° 3.013 -576483502

LAMP INFO

Description:	APL. LINEA 50cm 10W 3000K (cromo mate) IP44		
Mark:	00009 APLIQUES SIN MADERA		
Reference:	576483502		
Provisional Ref.:			
Range:	52414 LERIA		
Code EAN:	8421797764852		
Measures (mm):	0065-0500-0032	Weight (kg):	0.30

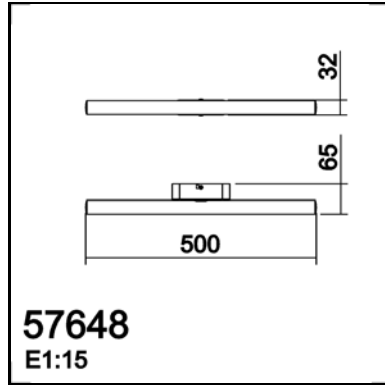
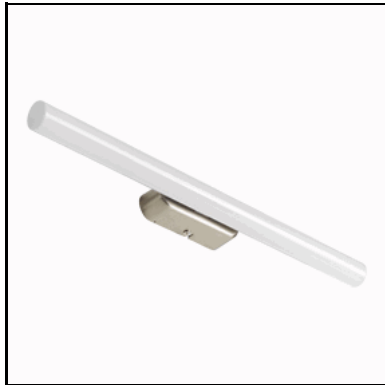
TECHNICAL INFO

Lampholder/Watts:	LED 10W	Switch:	No	Transformer:	No
Bulb included:	Yes - AC Tube	Dimmer:	No	Voltage/Frequence:	230V - 50Hz
CCT:	3000K	Efi:	A++..A	Shade:	No
Lm:	741.12	Ra:	84.9	Shrink wrap:	No
Class:	II	Bulk:	No	Applied Standard:	CE / LVD
IP:	44	McAdam:	2.1	Power:	9.6W

PACKAGING DETAILS

	Individual Box	Outer Box	Master Box
Type:	MDC- COLORS / COULEUR	MDC - MARRON / BROWN	
Units:	1.00	12.00	0.00
Measures:	0085-0530-0050	0280-0225-0550	_____
Gross Weight (kg):	0.40	5.30	-
CTN 40':	19.393,00		

OBSERVATIONS



TECHNICAL DATA N° 3.011 -576483503

LAMP INFO

Description:	APL. LINEA 50cm 10W 4000K (cromo mate) IP44		
Mark:	00009 APLIQUES SIN MADERA		
Reference:	576483503		
Provisional Ref.:			
Range:	52414 LERIA		
Code EAN:	8421797764821		
Measures (mm):	0065-0500-0032	Weight (kg):	0.30

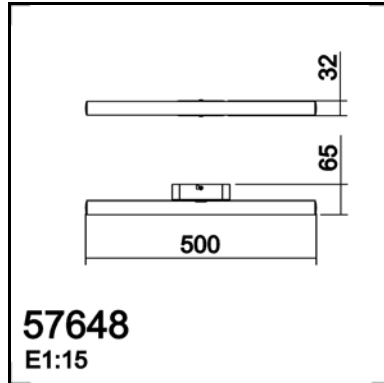
TECHNICAL INFO

Lampholder/Watts:	LED 10W	Switch:	No	Transformer:	No
Bulb included:	Yes - AC Tube	Dimmer:	No	Voltage/Frequence:	230V - 50Hz
CCT:	4000K	Efi:	25	Shade:	No
Lm:	873.24	Ra:	84.2	Shrink wrap:	No
Class:	II	Bulk:	No	Applied Standard:	CE / LVD
IP:	44	McAdam:	0.1	Power:	9.50W

PACKAGING DETAILS

	Individual Box	Outer Box	Master Box
Type:	MDC - COLORS / COULEUR	MDC - MARRON / BROWN	
Units:	1.00	12.00	0.00
Measures:	0085-0530-0050	0280-0225-0550	_____
Gross Weight (kg):	0.40	5.30	-
CTN 40°:	19.393,00		

OBSERVATIONS



TECHNICAL DATA N° 2.974 -576484402

LAMP INFO

Description:	APL. LINEA 50cm 10W 3000K (medalla) IP44		
Mark:	10002 WL Wall Lamp		
Reference:	576484402		
Provisional Ref.:			
Range:	52414 LERIA		
Code EAN:	8421797764845		
Measures (mm):	0065-0500-0032	Weight (kg):	0.30

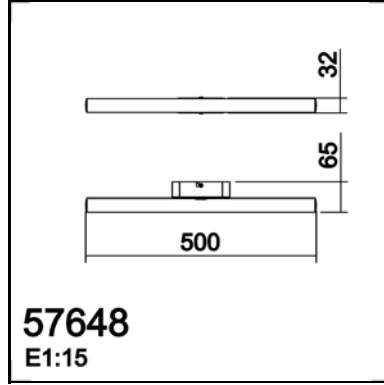
TECHNICAL INFO

Lampholder/Watts:	LED 10W	Switch:	No	Transformer:	No
Bulb included:	Yes - AC Tube	Dimmer:	No	Voltage/Frequence:	230V - 50Hz
CCT:	3000K	Efi:	A++..A	Shade:	No
Lm:	741.12	Ra:	84.9	Shrink wrap:	No
Class:	II	Bulk:	No	Applied Standard:	CE / LVD
IP:	44	McAdam:	2.1	Power:	9.6W

PACKAGING DETAILS

	Individual Box	Outer Box	Master Box
Type:	MDC- COLORS / COULEUR	MDC - MARRON / BROWN	
Units:	1.00	12.00	0.00
Measures:	0085-0530-0050	0280-0225-0550	_____
Gross Weight (kg):	0.40	5.30	-
CTN 40':	19.393,00		

OBSERVATIONS



TECHNICAL DATA Nº 2.975 - 576484403

LAMP INFO

Description:	APL. LINEA 50cm 10W 4000K (medalla) IP44		
Mark:	10002 WL Wall Lamp		
Reference:	576484403		
Provisional Ref.:			
Range:	52414 LERIA		
Code EAN:	8421797764814		
Measures (mm):	0065-0500-0032	Weight (kg):	0.30

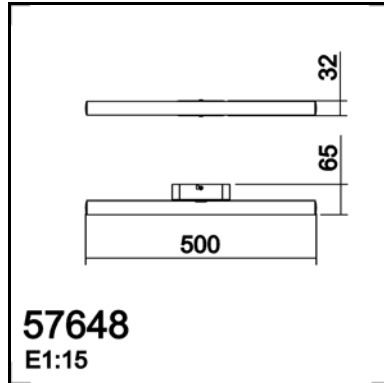
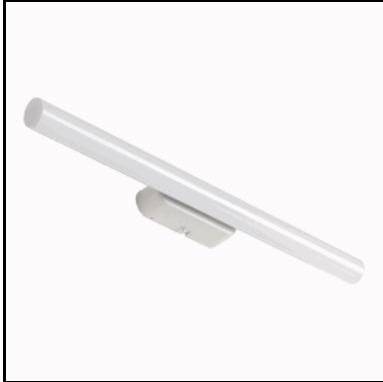
TECHNICAL INFO

Lampholder/Watts:	LED 10W	Switch:	No	Transformer:	No
Bulb included:	Yes - AC Tube	Dimmer:	No	Voltage/Frequence:	230V - 50Hz
CCT:	4000K	Efi:	25	Shade:	No
Lm:	873.24	Ra:	84.2	Shrink wrap:	No
Class:	II	Bulk:	No	Applied Standard:	CE / LVD
IP:	44	McAdam:	0.1	Power:	9.50W

PACKAGING DETAILS

	Individual Box	Outer Box	Master Box
Type:	MDC - COLORS / COULEUR	MDC - MARRON / BROWN	
Units:	1.00	12.00	0.00
Measures:	0085-0530-0050	0280-0225-0550	_____
Gross Weight (kg):	0.40	5.30	-
CTN 40':	19.393,00		

OBSERVATIONS



TECHNICAL DATA N° 2.976 -576488102

LAMP INFO

Description:	APL. LINEA 50cm 10W 3000K (blanco mate) IP44		
Mark:	10002 WL Wall Lamp		
Reference:	576488102		
Provisional Ref.:			
Range:	52414 LERIA		
Code EAN:	8421797764883		
Measures (mm):	0065-0500-0032	Weight (kg):	0.30

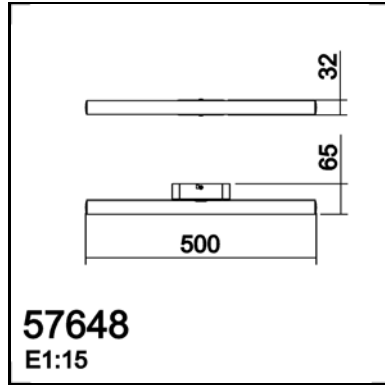
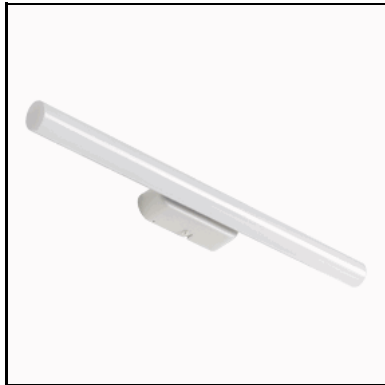
TECHNICAL INFO

Lampholder/Watts:	LED 10W	Switch:	No	Transformer:	No
Bulb included:	Yes - AC Tube	Dimmer:	No	Voltage/Frequence:	230V - 50Hz
CCT:	3000K	Efi:	A++..A	Shade:	No
Lm:	741.12	Ra:	84.9	Shrink wrap:	No
Class:	II	Bulk:	No	Applied Standard:	CE / LVD
IP:	44	McAdam:	2.1	Power:	9.6W

PACKAGING DETAILS

	Individual Box	Outer Box	Master Box
Type:	MDC- COLORS / COULEUR	MDC - MARRON / BROWN	
Units:	1.00	12.00	0.00
Measures:	0085-0530-0050	0280-0225-0550	_____
Gross Weight (kg):	0.40	5.30	-
CTN 40':	19.393,00		

OBSERVATIONS



TECHNICAL DATA N° 2.977 - 576488103

LAMP INFO

Description:	APL. LINEA 50cm 10W 4000K (blanco mate) IP44		
Mark:	10002 WL Wall Lamp		
Reference:	576488103		
Provisional Ref.:			
Range:	52414 LERIA		
Code EAN:	8421797764869		
Measures (mm):	0065-0500-0032	Weight (kg):	0.30

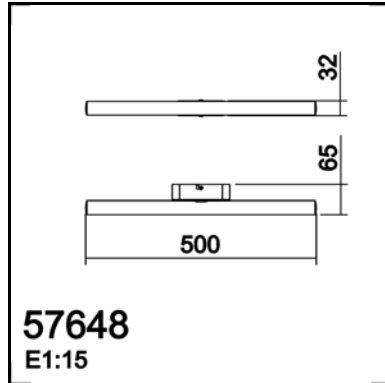
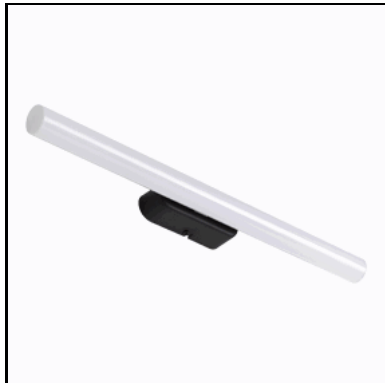
TECHNICAL INFO

Lampholder/Watts:	LED 10W	Switch:	No	Transformer:	No
Bulb included:	Yes - AC Tube	Dimmer:	No	Voltage/Frequence:	230V - 50Hz
CCT:	4000K	Efi:	25	Shade:	No
Lm:	873.24	Ra:	84.2	Shrink wrap:	No
Class:	II	Bulk:	No	Applied Standard:	CE / LVD
IP:	44	McAdam:	0.1	Power:	9.50W

PACKAGING DETAILS

	Individual Box	Outer Box	Master Box
Type:	MDC - COLORS / COULEUR	MDC - MARRON / BROWN	
Units:	1.00	12.00	0.00
Measures:	0085-0530-0050	0280-0225-0550	_____
Gross Weight (kg):	0.40	5.30	-
CTN 40°:	19.393,00		

OBSERVATIONS



TECHNICAL DATA N° 2.978 - 576489102

LAMP INFO

Description:	APL. LINEA 50cm 10W 3000K (negro mate) IP44		
Mark:	10002 WL Wall Lamp		
Reference:	576489102		
Provisional Ref.:			
Range:	52414 LERIA		
Code EAN:	8421797764890		
Measures (mm):	0065-0500-0032	Weight (kg):	0.30

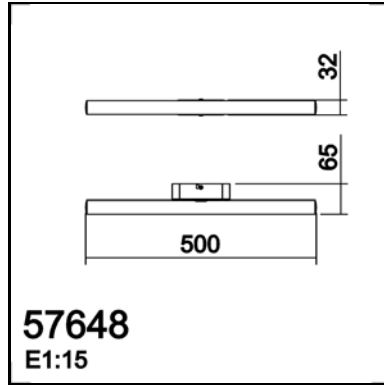
TECHNICAL INFO

Lampholder/Watts:	LED 10W	Switch:	No	Transformer:	No
Bulb included:	Yes - AC Tube	Dimmer:	No	Voltage/Frequence:	230V - 50Hz
CCT:	3000K	Efi:	A++..A	Shade:	No
Lm:	741.12	Ra:	84.9	Shrink wrap:	No
Class:	II	Bulk:	No	Applied Standard:	CE / LVD
IP:	44	McAdam:	2.1	Power:	9.6W

PACKAGING DETAILS

	Individual Box	Outer Box	Master Box
Type:	MDC- COLORS / COULEUR	MDC - MARRON / BROWN	
Units:	1.00	12.00	0.00
Measures:	0085-0530-0050	0280-0225-0550	_____
Gross Weight (kg):	0.40	5.30	-
CTN 40':	19.393,00		

OBSERVATIONS

**TECHNICAL DATA N°** 2.979 - 576489103**LAMP INFO**

Description:	APL. LINEA 50cm 10W 4000K (negro mate) IP44		
Mark:	10002 WL Wall Lamp		
Reference:	576489103		
Provisional Ref.:			
Range:	52414 LERIA		
Code EAN:	8421797764876		
Measures (mm):	0065-0500-0032	Weight (kg):	0.30

TECHNICAL INFO

Lampholder/Watts:	LED 10W	Switch:	No	Transformer:	No
Bulb included:	Yes - AC Tube	Dimmer:	No	Voltage/Frequence:	230V - 50Hz
CCT:	4000K	Efi:	25	Shade:	No
Lm:	873.24	Ra:	84.2	Shrink wrap:	No
Class:	II	Bulk:	No	Applied Standard:	CE / LVD
IP:	44	McAdam:	0.1	Power:	9.50W

PACKAGING DETAILS

	Individual Box	Outer Box	Master Box
Type:	MDC- COLORS / COULEUR	MDC - MARRON / BROWN	
Units:	1.00	12.00	0.00
Measures:	0085-0530-0050	0280-0225-0550	_____
Gross Weight (kg):	0.40	5.30	-
CTN 40':	19.393,00		

OBSERVATIONS
