

TECHNICAL DATA Nº 2.731 - 575809121

LAMP INFO

Description:	APLIQUE FINESS S, E27 (negro mate)		
Mark:	10002 WL Wall Lamp		
Reference:	575809121		
Provisional Ref.:			
Range:	57580 FINESS S		
Code EAN:	8421797758004		
Measures (mm):	0280-0251-0160	Weight (kg):	0.70

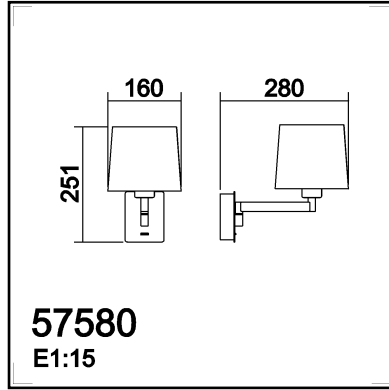
TECHNICAL INFO

Lampholder/Watts:	E27 max.40W	Switch:	Line switch	Transformer:	No
Bulb included:	No	Dimmer:	No	Voltage/Frequence:	100-240VAC - 50/60Hz
CCT:	-	Efi:	A++..E	Shade:	Yes
Lm:	-	Ra:	-	Shrink wrap:	No
Class:	II	Bulk:	No	Applied Standard:	CE / LVD
IP:	20	McAdam:	-	Power:	-

PACKAGING DETAILS

	Individual Box	Outer Box	Master Box
Type:	MDC-MARRON / BROWN	MDC - MARRON / BROWN	
Units:	1.00	6.00	0.00
Measures:	0275-0210-0190	0365-0360-0495	- - -
Gross Weight (kg):	1.00	6.70	-
CTN 40':	5.165,00		

OBSERVATIONS

TECHNICAL DATA Nº 2.732 - 575809721

LAMP INFO

Description:	APLIQUE FINESS S, E27 (níquel mate)		
Mark:	10002 WL Wall Lamp		
Reference:	575809721		
Provisional Ref.:			
Range:	57580 FINESS S		
Code EAN:	8421797758097		
Measures (mm):	0280-0251-0160	Weight (kg):	0.70

TECHNICAL INFO

Lampholder/Watts:	E27 max.40W	Switch:	Line switch	Transformer:	No
Bulb included:	No	Dimmer:	No	Voltage/Frequence:	100-240VAC - 50/60Hz
CCT:	-	Efi:	A++..E	Shade:	Yes
Lm:	-	Ra:	-	Shrink wrap:	No
Class:	II	Bulk:	No	Applied Standard:	CE / LVD
IP:	20	McAdam:	-	Power:	-

PACKAGING DETAILS

	Individual Box	Outer Box	Master Box
Type:	MDC-MARRON / BROWN	MDC - MARRON / BROWN	
Units:	1.00	6.00	0.00
Measures:	0275-0210-0190	0365-0360-0495	- - -
Gross Weight (kg):	1.00	6.70	-
CTN 40':	5.165,00		

OBSERVATIONS
