**TECHNICAL DATA N°** 2.786 - 575793002**LAMP INFO**

Description:	APL. TIBER, 900mm 14W 3000K (cromo) IP44		
Mark:	10002 WL Wall Lamp		
Reference:	575793002		
Provisional Ref.:			
Range:	52377 LOTA		
Code EAN:	8421797757939		
Measures (mm):	0040-0900-0060	Weight (kg):	1.00

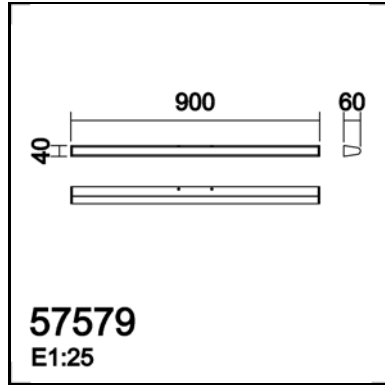
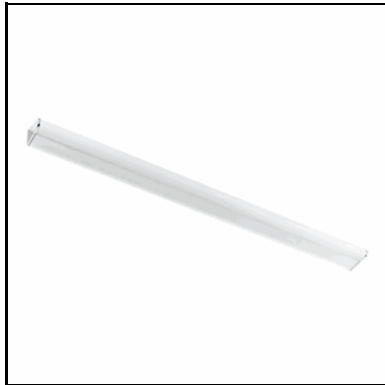
TECHNICAL INFO

Lampholder/Watts:	LED 14W	Switch:	No	Transformer:	Yes
Bulb included:	Yes - SMD	Dimmer:	No	Voltage/Frequence:	230V - 50Hz
CCT:	3000K	Efi:	A++..A	Shade:	No
Lm:	873.82	Ra:	85.0	Shrink wrap:	No
Class:	II	Bulk:	No	Applied Standard:	CE / LVD
IP:	44	McAdam:	4.4	Power:	13.2W

PACKAGING DETAILS

	Individual Box	Outer Box	Master Box
Type:	MDC-MARRON / BROWN	MDC - MARRON / BROWN	
Units:	1.00	6.00	0.00
Measures:	0105-0950-0085	0280-0230-0970	_____
Gross Weight (kg):	1.20	7.90	-
CTN 40':	5.378,00		

OBSERVATIONS



TECHNICAL DATA N° 2.787 - 575793003

LAMP INFO

Description:	APL. TIBER, 900mm 14W 4000K (cromo) IP44		
Mark:	10002 WL Wall Lamp		
Reference:	575793003		
Provisional Ref.:			
Range:	52377 LOTA		
Code EAN:	8421797757946		
Measures (mm):	0040-0900-0060	Weight (kg):	1.00

TECHNICAL INFO

Lampholder/Watts:	LED 14W	Switch:	No	Transformer:	Yes
Bulb included:	Yes - SMD	Dimmer:	No	Voltage/Frequence:	230V - 50Hz
CCT:	4000K	Efi:	A++..A	Shade:	No
Lm:	942.33	Ra:	83.6	Shrink wrap:	No
Class:	II	Bulk:	No	Applied Standard:	CE / LVD
IP:	44	McAdam:	2.3	Power:	13.2W

PACKAGING DETAILS

	Individual Box	Outer Box	Master Box
Type:	MDC-MARRON / BROWN	MDC - MARRON / BROWN	
Units:	1.00	6.00	0.00
Measures:	0105-0950-0085	0280-0230-0970	_____
Gross Weight (kg):	1.20	7.90	-
CTN 40°:	5.378,00		

OBSERVATIONS
