

TECHNICAL DATA N° 2.784 - 575783002

LAMP INFO

Description:	APL. TIBER, 600mm 10W 3000K (cromo) IP44		
Mark:	10002 WL Wall Lamp		
Reference:	575783002		
Provisional Ref.:			
Range:	52377 LOTA		
Code EAN:	8421797757830		
Measures (mm):	0040-0600-0060	Weight (kg):	0.70

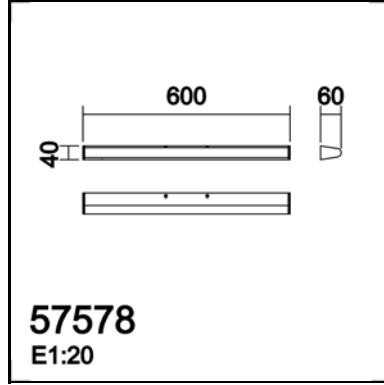
TECHNICAL INFO

Lampholder/Watts:	LED 10W	Switch:	No	Transformer:	Yes
Bulb included:	Yes - SMD	Dimmer:	No	Voltage/Frequence:	230V - 50Hz
CCT:	3000K	Efi:	A++..A	Shade:	No
Lm:	691.72	Ra:	85.1	Shrink wrap:	No
Class:	II	Bulk:	No	Applied Standard:	CE / LVD
IP:	44	McAdam:	4.0	Power:	10.0W

PACKAGING DETAILS

	Individual Box	Outer Box	Master Box
Type:	MDC-MARRON / BROWN	MDC - MARRON / BROWN	
Units:	1.00	12.00	0.00
Measures:	0105-0650-0085	0365-0340-0670	_____
Gross Weight (kg):	0.90	11.20	-
CTN 40°:	8.082,00		

OBSERVATIONS



TECHNICAL DATA N° 2.785 - 575783003

LAMP INFO

Description:	APL. TIBER, 600mm 10W 4000K (cromo) IP44		
Mark:	10002 WL Wall Lamp		
Reference:	575783003		
Provisional Ref.:			
Range:	52377 LOTA		
Code EAN:	8421797757847		
Measures (mm):	0040-0600-0060	Weight (kg):	0.70

TECHNICAL INFO

Lampholder/Watts:	LED 10W	Switch:	No	Transformer:	Yes
Bulb included:	Yes - SMD	Dimmer:	No	Voltage/Frequence:	230V - 50Hz
CCT:	4000K	Efi:	A++..A	Shade:	No
Lm:	784.58	Ra:	83.2	Shrink wrap:	No
Class:	II	Bulk:	No	Applied Standard:	CE / LVD
IP:	44	McAdam:	2.3	Power:	10.0W

PACKAGING DETAILS

	Individual Box	Outer Box	Master Box
Type:	MDC-MARRON / BROWN	MDC - MARRON / BROWN	
Units:	1.00	12.00	0.00
Measures:	0105-0650-0085	0365-0340-0670	_____
Gross Weight (kg):	0.90	11.20	-
CTN 40°:	8.082,00		

OBSERVATIONS
