

TECHNICAL DATA N° 2.782 - 575773002

LAMP INFO

Description:	APL. TIBER, 400mm 7W 3000K (cromo) IP44		
Mark:	10002 WL Wall Lamp		
Reference:	575773002		
Provisional Ref.:			
Range:	52377 LOTA		
Code EAN:	8421797757731		
Measures (mm):	0040-0400-0060	Weight (kg):	0.60

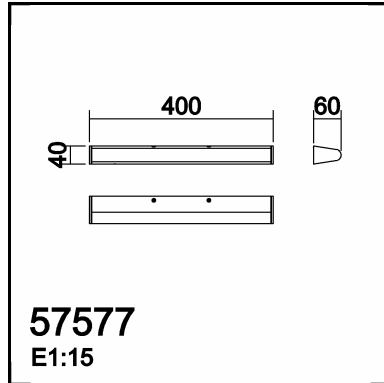
TECHNICAL INFO

Lampholder/Watts:	LED 7W	Switch:	No	Transformer:	Yes
Bulb included:	Yes - SMD	Dimmer:	No	Voltage/Frequence:	230V - 50Hz
CCT:	3000K	Efi:	A++..A	Shade:	No
Lm:	516.29	Ra:	84.8	Shrink wrap:	No
Class:	II	Bulk:	No	Applied Standard:	CE / LVD
IP:	44	McAdam:	4.1	Power:	7.1W

PACKAGING DETAILS

	Individual Box	Outer Box	Master Box
Type:	MDC-MARRON / BROWN	MDC - MARRON / BROWN	
Units:	1.00	12.00	0.00
Measures:	0105-0450-0085	0365-0340-0470	_____
Gross Weight (kg):	0.70	8.70	-
CTN 40°:	11.521,00		

OBSERVATIONS



TECHNICAL DATA N° 2.783 -575773003

LAMP INFO

Description:	APL. TIBER, 400mm 7W 4000K (cromo) IP44		
Mark:	10002 WL Wall Lamp		
Reference:	575773003		
Provisional Ref.:			
Range:	57577 TIBER		
Code EAN:	8421797757748		
Measures (mm):	0400-0060-0040	Weight (kg):	0.60

TECHNICAL INFO

Lampholder/Watts:	LED 7W	Switch:	No	Transformer:	Yes
Bulb included:	Yes - SMD	Dimmer:	No	Voltage/Frequence:	230V - 50Hz
CCT:	4000K	Efi:	A++..A	Shade:	No
Lm:	655.84	Ra:	83.2	Shrink wrap:	No
Class:	II	Bulk:	No	Applied Standard:	CE / LVD
IP:	44	McAdam:	1.7	Power:	7.2W

PACKAGING DETAILS

	Individual Box	Outer Box	Master Box
Type:	MDC-MARRON / BROWN	MDC - MARRON / BROWN	
Units:	1.00	12.00	0.00
Measures:	0105-0450-0085	0365-0340-0470	___-___-___
Gross Weight (kg):	0.70	8.70	-
CTN 40':	11.521,00		

OBSERVATIONS
