

TECHNICAL DATA 575757072

LAMP INFO	
Description:	PLAFON ERAS, LED 55W 4K 53x53cm (blanco estrellad)
Mark:	10001 CL Ceiling
Reference:	575757072
Range:	57573 ERAS
Code EAN:	8421797757571
Measures (mm):	0075-0530-0530
Weight (kg):	2.00

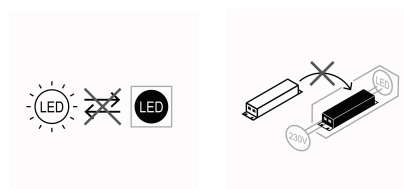
Lampholder/Watts:	LED 55W	CCT:	4000K	Switch:	No
Bulb included:	Yes - SMD	Lm:	3800	USB_C:	No
Class:	Class I	Effi LS:	F	Shade:	No
IP:	20	CRI:	85,00	Dimmable:	No
Driver inc.:	Yes	Lamp Power:	55,00W		
Voltage/Frequence:	230V - 50Hz	Applied Standard:	CE / LVD		

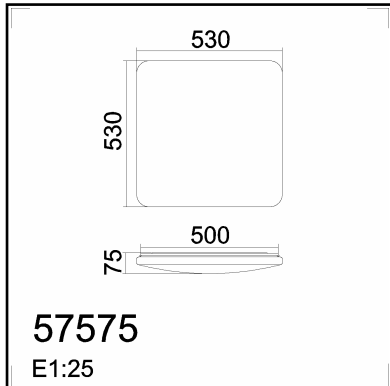
PACKAGING DETAILS

	Individual Box	Outer Box	Master Box
Type:	MDC- COLORS / COULEUR	MDC - MARRON / BROWN	
Units:	1.00	5.00	0.00
Measures:	0570-0570-0095	0590-0500-0590	
Gross Weight (kg):	2.70	14.70	-
CTN 40':	1.608,00		

OBSERVATIONS

LED 3800lm





TECHNICAL DATA 575758072

LAMP INFO

Description:	PLAFON ERAS, LED 55W 4K 53x53cm (blanco)		
Mark:	10001	CL Ceiling	
Reference:	575758072		
Range:	57573	ERAS	
Code EAN:	8421797757588		
Measures (mm):	0075-0530-0530		
Weight (kg):	2.00		

Lampholder/Watts:	LED 55W	CCT:	4000K	Switch:	No
Bulb included:	Yes - SMD	Lm:	3800	USB_C:	No
Class:	Class I	Effi LS:	F	Shade:	No
IP:	20	CRI:	85,00	Dimmable:	No
Driver inc.:	Yes	Lamp Power:	55,00W		
Voltage/Frequence:	230V - 50Hz	Applied Standard:	CE / LVD		

PACKAGING DETAILS

	Individual Box	Outer Box	Master Box
Type:	MDC- COLORS / COULEUR	MDC - MARRON / BROWN	
Units:	1.00	5.00	0.00
Measures:	0570-0570-0095	0590-0500-0590	_____
Gross Weight (kg):	2.70	14.70	-
CTN 40':	1.608,00		

OBSERVATIONS

LED 3800lm

