

TECHNICAL DATA 575747072

LAMP INFO	
Description:	PLAFON ERAS, LED 45W 4K 43x43cm (blanco estrellad)
Mark:	10001 CL Ceiling
Reference:	575747072
Range:	57573 ERAS
Code EAN:	8421797757472
Measures (mm):	0065-0430-0430
Weight (kg):	1.25

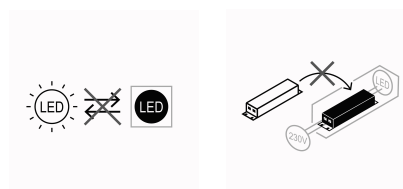
Lampholder/Watts:	LED 45W	CCT:	4000K	Switch:	No
Bulb included:	Yes - SMD	Lm:	3000	USB_C:	No
Class:	Class I	Effi LS:	F	Shade:	No
IP:	20	CRI:	84,50	Dimmable:	No
Driver inc.:	Yes	Lamp Power:	45,00W		
Voltage/Frequence:	230V - 50Hz	Applied Standard:	CE / LVD		

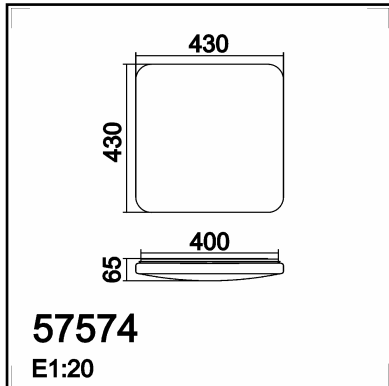
PACKAGING DETAILS

	Individual Box	Outer Box	Master Box
Type:	MDC- COLORS / COULEUR	MDC - MARRON / BROWN (c)	
Units:	1.00	5.00	0.00
Measures:	0475-0475-0085	0495-0450-0495	_____
Gross Weight (kg):	1.67	8.20	-
CTN 40':	2.539,00		

OBSERVATIONS

LED 3000lm





TECHNICAL DATA 575748072

LAMP INFO	
Description:	PLAFON ERAS, LED 45W 4K 43x43cm (blanco)
Mark:	10001 CL Ceiling
Reference:	575748072
Range:	57573 ERAS
Code EAN:	8421797757489
Measures (mm):	0065-0430-0430
Weight (kg):	1.25

Lampholder/Watts:	LED 45W	CCT:	4000K	Switch:	No
Bulb included:	Yes - SMD	Lm:	3000	USB_C:	No
Class:	Class I	Effi LS:	F	Shade:	No
IP:	20	CRI:	84,50	Dimmable:	No
Driver inc.:	Yes	Lamp Power:	45,00W		
Voltage/Frequence:	230V - 50Hz	Applied Standard:	CE / LVD		

PACKAGING DETAILS

	Individual Box	Outer Box	Master Box
Type:	MDC- COLORS / COULEUR	MDC - MARRON / BROWN (c)	
Units:	1.00	5.00	0.00
Measures:	0475-0475-0085	0495-0450-0495	
Gross Weight (kg):	1.67	8.20	-
CTN 40':	2.539,00		

OBSERVATIONS

LES 3000lm

