

TECHNICAL DATA 575737072

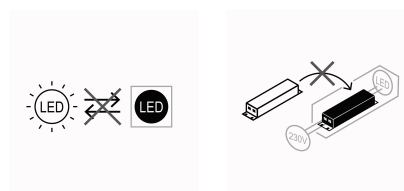
LAMP INFO	
Description:	PLAFON ERAS, LED 28W 4K 33x33cm (blanco estrellad)
Mark:	10001 CL Ceiling
Reference:	575737072
Range:	57573 ERAS
Code EAN:	8421797757373
Measures (mm):	0065-0330-0330
Weight (kg):	0.73

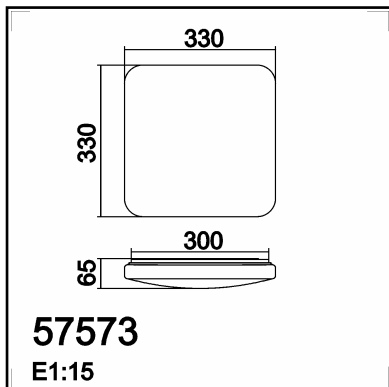
Lampholder/Watts:	LED 28W	CCT:	4000K	Switch:	No
Bulb included:	Yes	Lm:	2000	USB_C:	No
Class:	Class I	Effi LS:	F	Shade:	No
IP:	20	CRI:	84,90	Dimmable:	No
Driver inc.:	Yes	Lamp Power:	28,00W		
Voltage/Frequence:	230V - 50Hz	Applied Standard:	CE / LVD		

PACKAGING DETAILS

	Individual Box	Outer Box	Master Box
Type:	MDC- COLORS / COULEUR	MDC - MARRON / BROWN (c)	
Units:	1.00	5.00	0.00
Measures:	0375-0375-0085	0445-0395-0395	_____
Gross Weight (kg):	1.04	5.20	-
CTN 40°:	4.032,00		

OBSERVATIONS





TECHNICAL DATA 575738072

LAMP INFO	
Description:	PLAFON ERAS, LED 28W 4K 33x33cm (blanco)
Mark:	10001 CL Ceiling
Reference:	575738072
Range:	57573 ERAS
Code EAN:	8421797757380
Measures (mm):	0065-0330-0330
Weight (kg):	0.73

Lampholder/Watts:	LED 28W	CCT:	4000K	Switch:	No
Bulb included:	Yes	Lm:	2000	USB_C:	No
Class:	Class I	Effi LS:	F	Shade:	No
IP:	20	CRI:	84,80	Dimmable:	No
Driver inc.:	Yes	Lamp Power:	28,00W		
Voltage/Frequence:	230V - 50Hz	Applied Standard:	CE / LVD		

PACKAGING DETAILS

	Individual Box	Outer Box	Master Box
Type:	MDC- COLORS / COULEUR	MDC - MARRON / BROWN (c)	
Units:	1.00	5.00	0.00
Measures:	0375-0375-0085	0395-0445-0395	_____
Gross Weight (kg):	1.04	5.20	-
CTN 40':	4.032,00		

OBSERVATIONS

