

TECHNICAL DATA 575437072

LAMP INFO

Description:	PLAFON LIPSA, LED 24W 4000K 33x33cm(bl estrella)		
Mark:	10001	CL Ceiling	
Reference:	575437072		
Range:	57114	ASCONA	
Code EAN:	8421797754372		
Measures (mm):	0330-0330-0075		
Weight (kg):	0.62		

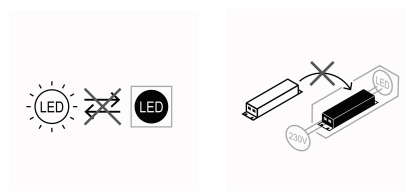
Lampholder/Watts:	LED 24W	CCT:	4000K	Switch:	No
Bulb included:	Yes	Lm:	1660	USB_C:	No
Class:	Class I	Effi LS:	F	Shade:	No
IP:	20	CRI:	86,50	Dimmable:	No
Driver inc.:	Yes	Lamp Power:	23,00W		
Voltage/Frequence:	230V - 50Hz	Applied Standard:	CE / LVD		

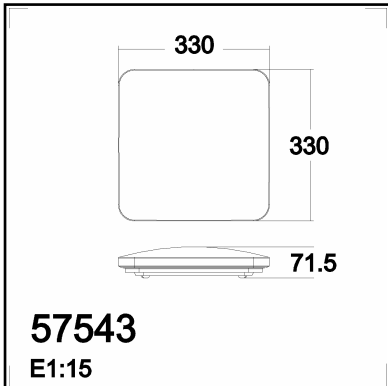
PACKAGING DETAILS

	Individual Box	Outer Box	Master Box
Type:	MDC- COLORS / COULEUR	MDC - MARRON / BROWN	
Units:	1.00	8.00	0.00
Measures:	0365-0365-0085	0720-0365-0450	
Gross Weight (kg):	0.86	7.89	-
CTN 40':	3.788,00		

OBSERVATIONS

LED 1800lm





TECHNICAL DATA 575438072

LAMP INFO

Description:	PLAFON LIPSA, LED 24W 4000K 33x33cm (blanco)		
Mark:	10001	CL Ceiling	
Reference:	575438072		
Range:	57114	ASCONA	
Code EAN:	8421797754389		
Measures (mm):	0330-0330-0071		
Weight (kg):	0.62		

Lampholder/Watts:	LED 24W	CCT:	4000K	Switch:	No
Bulb included:	Yes	Lm:	1660	USB_C:	No
Class:	Class I	Effi LS:	F	Shade:	No
IP:	20	CRI:	86,50	Dimmable:	No
Driver inc.:	Yes	Lamp Power:	23,00W		
Voltage/Frequence:	230V - 50Hz	Applied Standard:	CE / LVD		

PACKAGING DETAILS

	Individual Box	Outer Box	Master Box
Type:	MDC- COLORS / COULEUR	MDC - MARRON / BROWN	
Units:	1.00	8.00	0.00
Measures:	0365-0365-0085	0720-0365-0450	
Gross Weight (kg):	0.86	7.89	-
CTN 40':	3.788,00		

OBSERVATIONS

LED 1800lm

