

**TECHNICAL DATA 575284404**

LAMP INFO	
Description:	APLIQUE JOBI, LED 6W 300mm 4000K (medalla)
Mark:	10002 WL Wall Lamp
Reference:	575284404
Range:	52374 JOBI
Code EAN:	8421797752811
Measures (mm):	0280-0300-0160
Weight (kg):	0.35

Lampholder/Watts:	LED 6W	CCT:	4000K	Switch:	No
Bulb included:	Yes - SMD	Lm:	600	USB_C:	No
Class:	Class II	Effi LS:	E	Shade:	No
IP:	20	CRI:	92,00	Dimmable:	No
Driver inc.:	Yes	Lamp Power:	6,00W		
Voltage/Frequence:	230V - 50Hz	Applied Standard:	CE / LVD		

**PACKAGING DETAILS**

	Individual Box	Outer Box	Master Box
Type:	MDC - BROWN PRINTED	MDC - MARRON / BROWN	
Units:	1.00	8.00	0.00
Measures:	0175-0040-0455	0370-0190-0475	
Gross Weight (kg):	0.55	4.80	
CTN 40':	13.416,00		

**OBSERVATIONS**

---



---



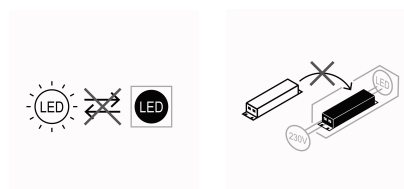
---

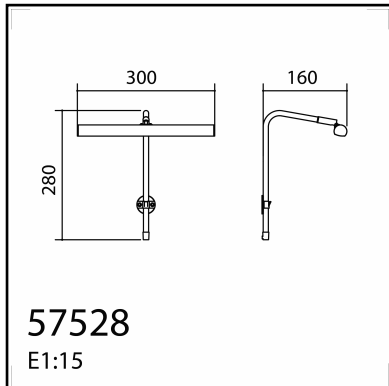


---



---





**TECHNICAL DATA 575283504**

LAMP INFO	
Description:	APLIQUE JOBI, LED 6W 300mm 4000K (cromo mate)
Mark:	10002 WL Wall Lamp
Reference:	575283504
Range:	52374 JOBI
Code EAN:	8421797752859
Measures (mm):	0280-0300-0160
Weight (kg):	0.35

Lampholder/Watts:	LED 6W	CCT:	4000K	Switch:	No
Bulb included:	Yes - SMD	Lm:	600	USB_C:	No
Class:	Class II	Effi LS:	E	Shade:	No
IP:	20	CRI:	92,00	Dimmable:	No
Driver inc.:	Yes	Lamp Power:	6,00W		
Voltage/Frequence:	230V - 50Hz	Applied Standard:	CE / LVD		

**PACKAGING DETAILS**

	Individual Box	Outer Box	Master Box
Type:	MDC - BROWN PRINTED	MDC - MARRON / BROWN	
Units:	1.00	8.00	0.00
Measures:	0175-0040-0455	0370-0190-0475	
Gross Weight (kg):	0.55	4.80	
CTN 40':	13.416,00		

**OBSERVATIONS**

---



---



---



---



---

