

TECHNICAL DATA 575143001

LAMP INFO

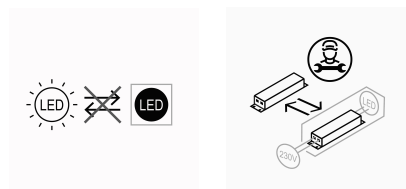
Description:	LAMP MESA CALA CLIP,LED 3.5W 240lum (gris)
Mark:	20001 TL Table Lamp
Reference:	575143001
Range:	57550 CALA
Code EAN:	8421797751432
Measures (mm):	0445-0090-0090
Weight (kg):	0.26

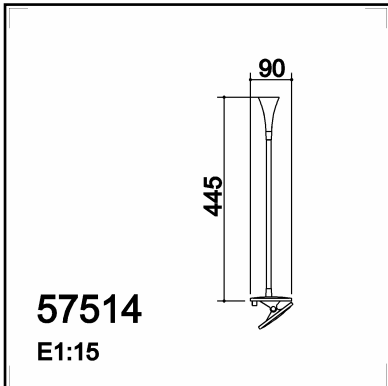
Lampholder/Watts:	LED 3,5W	CCT:	4000K	Switch:	Cord switch
Bulb included:	Yes	Lm:	240	USB_C:	No
Class:	Class III	Effi LS:	F	Shade:	No
IP:	20	CRI:	83,80	Dimmable:	No
Driver inc.:	Yes	Lamp Power:	3,50W		
Voltage/Frequence:	DC 10V - 280mA	Applied Standard:	CE / LVD		

PACKAGING DETAILS

	Individual Box	Outer Box	Master Box
Type:	MDC - COLORS	MDC - MARRON / BROWN	
Units:	1.00	10.00	0.00
Measures:	0140-0155-0140	0715-0295-0175	_____
Gross Weight (kg):	0.36	4.50	-
CTN 40°:	15.171,00		

OBSERVATIONS





TECHNICAL DATA 575148001

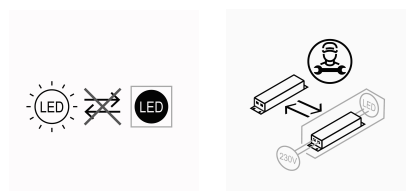
LAMP INFO	
Description:	LAMP MESA CALA CLIP,LED 3.5W 240lum (blanco)
Mark:	20001 TL Table Lamp
Reference:	575148001
Range:	57550 CALA
Code EAN:	8421797751487
Measures (mm):	0445-0090-0090
Weight (kg):	0.26

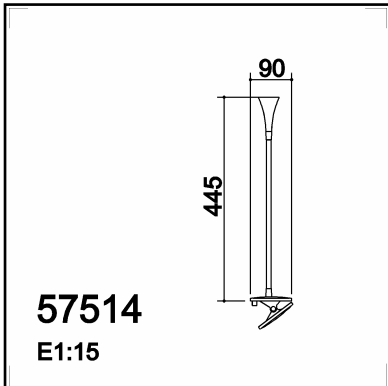
Lampholder/Watts:	LED 3,5W	CCT:	4000K	Switch:	Cord switch
Bulb included:	Yes	Lm:	240	USB_C:	No
Class:	Class III	Effi LS:	F	Shade:	No
IP:	20	CRI:	83,80	Dimmable:	No
Driver inc.:	Yes	Lamp Power:	3,50W		
Voltage/Frequence:	DC 10V - 280mA	Applied Standard:	CE / LVD		

PACKAGING DETAILS

	Individual Box	Outer Box	Master Box
Type:	MDC - COLORS	MDC - MARRON / BROWN	
Units:	1.00	10.00	0.00
Measures:	0140-0155-0140	0715-0295-0175	
Gross Weight (kg):	0.36	4.50	-
CTN 40°:	15.171,00		

OBSERVATIONS





TECHNICAL DATA 575149001

LAMP INFO

Description:	LAMP MESA CALA CLIP,LED 3.5W 240lum (negro)
Mark:	20001 TL Table Lamp
Reference:	575149001
Range:	57550 CALA
Code EAN:	8421797751494
Measures (mm):	0445-0090-0090
Weight (kg):	0.26

Lampholder/Watts:	LED 3,5W	CCT:	4000K	Switch:	Cord switch
Bulb included:	Yes	Lm:	240	USB_C:	No
Class:	Class III	Effi LS:	F	Shade:	No
IP:	20	CRI:	83,80	Dimmable:	No
Driver inc.:	Yes	Lamp Power:	3,50W		
Voltage/Frequence:	DC 10V - 280mA	Applied Standard:	CE / LVD		

PACKAGING DETAILS

	Individual Box	Outer Box	Master Box
Type:	MDC - COLORS	MDC - MARRON / BROWN	
Units:	1.00	10.00	0.00
Measures:	0140-0155-0140	0715-0295-0175	_____
Gross Weight (kg):	0.36	4.50	-
CTN 40°:	15.171,00		

OBSERVATIONS

