

TECHNICAL DATA N° 2.966 - 575094302

LAMP INFO

Description:	APLIQUE ZENIT, 7W 3000K dim(bronze)		
Mark:	10002 WL Wall Lamp		
Reference:	575094302		
Provisional Ref.:			
Range:	57505 ZENIT		
Code EAN:	8421797750947		
Measures (mm):	0115-0115-0149	Weight (kg):	0.40

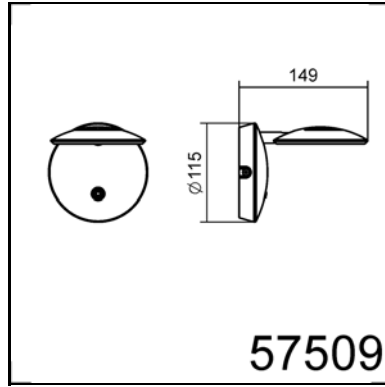
TECHNICAL INFO

Lampholder/Watts:	LED 7W	Switch:	Push-button	Transformer:	Yes
Bulb included:	Yes - SMD	Dimmer:	Yes	Voltage/Frequence:	230V - 50Hz
CCT:	3000K	Efi:	A++..A	Shade:	No
Lm:	573.58	Ra:	83.5	Shrink wrap:	No
Class:	II	Bulk:	No	Applied Standard:	CE / LVD
IP:	20	McAdam:	5.9	Power:	9.9W

PACKAGING DETAILS

	Individual Box	Outer Box	Master Box
Type:	MDC-MARRON / BROWN	MDC - MARRON / BROWN	
Units:	1.00	24.00	0.00
Measures:	0090-0135-0135	0450-0310-0450	_____
Gross Weight (kg):	0.50	12.33	-
CTN 40':	21.409,00		

OBSERVATIONS



TECHNICAL DATA N° 2.967 - 575099302

LAMP INFO

Description:	APLIQUE ZENIT, 7W 3000K dim(niq mate negro)		
Mark:	10002 WL Wall Lamp		
Reference:	575099302		
Provisional Ref.:			
Range:	57505 ZENIT		
Code EAN:	8421797750930		
Measures (mm):	0115-0115-0149	Weight (kg):	0.40

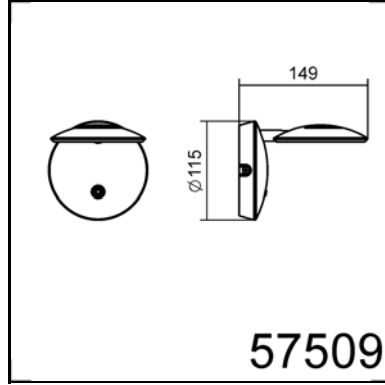
TECHNICAL INFO

Lampholder/Watts:	LED 7W	Switch:	Push-button	Transformer:	Yes
Bulb included:	Yes - SMD	Dimmer:	Yes	Voltage/Frequence:	230V - 50Hz
CCT:	3000K	Efi:	A++..A	Shade:	No
Lm:	573.58	Ra:	83.5	Shrink wrap:	No
Class:	II	Bulk:	No	Applied Standard:	CE / LVD
IP:	20	McAdam:	5.9	Power:	9.9W

PACKAGING DETAILS

	Individual Box	Outer Box	Master Box
Type:	MDC-MARRON / BROWN	MDC - MARRON / BROWN	
Units:	1.00	24.00	0.00
Measures:	0090-0135-0135	0450-0310-0450	_____
Gross Weight (kg):	0.50	12.33	-
CTN 40':	21.409,00		

OBSERVATIONS



TECHNICAL DATA N° 2.968 - 575099702

LAMP INFO

Description:	APLIQUE ZENIT, 7W 3000K dim (niquel mate)		
Mark:	10002 WL Wall Lamp		
Reference:	575099702		
Provisional Ref.:			
Range:	57505 ZENIT		
Code EAN:	8421797750992		
Measures (mm):	0115-0115-0149	Weight (kg):	0.40

TECHNICAL INFO

Lampholder/Watts:	LED 7W	Switch:	Push-button	Transformer:	Yes
Bulb included:	Yes - SMD	Dimmer:	Yes	Voltage/Frequence:	230V - 50Hz
CCT:	3000K	Efi:	A++..A	Shade:	No
Lm:	573.58	Ra:	83.5	Shrink wrap:	No
Class:	II	Bulk:	No	Applied Standard:	CE / LVD
IP:	20	McAdam:	5.9	Power:	9.9W

PACKAGING DETAILS

	Individual Box	Outer Box	Master Box
Type:	MDC-MARRON / BROWN	MDC - MARRON / BROWN	
Units:	1.00	24.00	0.00
Measures:	0090-0135-0135	0450-0310-0450	_____
Gross Weight (kg):	0.50	12.33	-
CTN 40':	21.409,00		

OBSERVATIONS
