

TECHNICAL DATA N° 2.999 -575069320

LAMP INFO

Description:	LP SNGLE ZENIT,LED 30+10W 3000K dim(niquel m. neg)		
Mark:	20000 FL Floor Lamp		
Reference:	575069320		
Provisional Ref.:			
Range:	57505 ZENIT		
Code EAN:	8421797750619		
Measures (mm):	1840-0280-0280	Weight (kg):	7.10

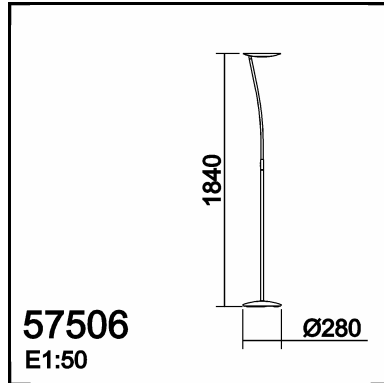
TECHNICAL INFO

Lampholder/Watts:	LED 40W	Switch:	Push-button	Transformer:	Yes
Bulb included:	Yes - SMD	Dimmer:	Yes	Voltage/Frequence:	DC 24V - 1,5A
CCT:	3000K	Efi:	A++..A	Shade:	No
Lm:	2516.11	Ra:	83.0	Shrink wrap:	No
Class:	III	Bulk:	No	Applied Standard:	CE / LVD
IP:	20	McAdam:	2.5	Power:	39.5W

PACKAGING DETAILS

	Individual Box	Outer Box	Master Box
Type:	MDC-MARRON / BROWN		
Units:	1.00	0.00	0.00
Measures:	1905-0390-0335	___-___-___	___-___-___
Gross Weight (kg):	8.90	-	-
CTN 40':	225,00		

OBSERVATIONS



TECHNICAL DATA N° 2.998 -575064320

LAMP INFO

Description:	LP SINGLE ZENIT,LED 30+10W 3000K dim (bronze)		
Mark:	20000 FL Floor Lamp		
Reference:	575064320		
Provisional Ref.:			
Range:	57505 ZENIT		
Code EAN:	8421797750640		
Measures (mm):	1840-0280-0280	Weight (kg):	7.10

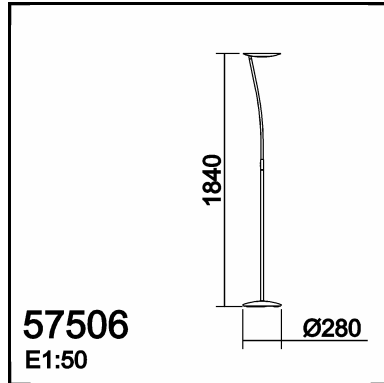
TECHNICAL INFO

Lampholder/Watts:	LED 40W	Switch:	Push-button	Transformer:	Yes
Bulb included:	Yes - SMD	Dimmer:	Yes	Voltage/Frequence:	DC 24V - 1,5A
CCT:	3000K	Efi:	A++..A	Shade:	No
Lm:	2516.11	Ra:	83.0	Shrink wrap:	No
Class:	III	Bulk:	No	Applied Standard:	CE / LVD
IP:	20	McAdam:	2.5	Power:	39.5W

PACKAGING DETAILS

	Individual Box	Outer Box	Master Box
Type:	MDC-MARRON / BROWN		
Units:	1.00	0.00	0.00
Measures:	1905-0390-0335	___-___-___	___-___-___
Gross Weight (kg):	8.90	-	-
CTN 40':	225,00		

OBSERVATIONS



TECHNICAL DATA N° 3.000 -575069720

LAMP INFO

Description:	LP SINGLE ZENIT,LED 30+10W 3000K dim (niquel mate)		
Mark:	20000 FL Floor Lamp		
Reference:	575069720		
Provisional Ref.:			
Range:	57505 ZENIT		
Code EAN:	8421797750695		
Measures (mm):	1840-0280-0280	Weight (kg):	7.10

TECHNICAL INFO

Lampholder/Watts:	LED 40W	Switch:	Push-button	Transformer:	Yes
Bulb included:	Yes - SMD	Dimmer:	Yes	Voltage/Frequence:	DC 24V - 1,5A
CCT:	3000K	Efi:	A++..A	Shade:	No
Lm:	2516.11	Ra:	83.0	Shrink wrap:	No
Class:	III	Bulk:	No	Applied Standard:	CE / LVD
IP:	20	McAdam:	2.5	Power:	39.5W

PACKAGING DETAILS

	Individual Box	Outer Box	Master Box
Type:	MDC-MARRON / BROWN		
Units:	1.00	0.00	0.00
Measures:	1905-0390-0335	_____	_____
Gross Weight (kg):	8.90	-	-
CTN 40':	225,00		

OBSERVATIONS
