

TECHNICAL DATA N° 2.996 -575059320

LAMP INFO

| | | | |
|--------------------------|--|---------------------|------|
| Description: | LAMP PIE ZENIT,LED(30W+10W)+7W3000Kdim(niq mat ng) | | |
| Mark: | 20000 FL Floor Lamp | | |
| Reference: | 575059320 | | |
| Provisional Ref.: | | | |
| Range: | 57505 ZENIT | | |
| Code EAN: | 8421797750503 | | |
| Measures (mm): | 1843-0620-0280 | Weight (kg): | 8.05 |

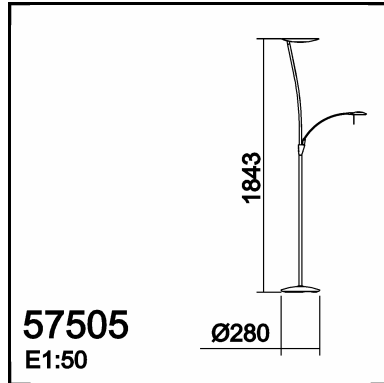
TECHNICAL INFO

| | | | | | |
|--------------------------|--------------|----------------|-------------|---------------------------|----------------|
| Lampholder/Watts: | LED 40W + 7W | Switch: | Push-button | Transformer: | Yes |
| Bulb included: | Yes - SMD | Dimmer: | Yes | Voltage/Frequence: | DC 24V - 1,88A |
| CCT: | 3000K | Efi: | A++..A | Shade: | No |
| Lm: | 3106.66 | Ra: | 82.8 | Shrink wrap: | No |
| Class: | III | Bulk: | No | Applied Standard: | CE / LVD |
| IP: | 20 | McAdam: | 2.0 | Power: | 47.2W |

PACKAGING DETAILS

| | Individual Box | Outer Box | Master Box |
|---------------------------|--------------------|-------------|-------------|
| Type: | MDC-MARRON / BROWN | | |
| Units: | 1.00 | 0.00 | 0.00 |
| Measures: | 1905-0390-0335 | ___-___-___ | ___-___-___ |
| Gross Weight (kg): | 9.10 | - | - |
| CTN 40': | 225,00 | | |

OBSERVATIONS



57505
E1:50

TECHNICAL DATA N° 2.995 - 575054320

LAMP INFO

| | | | |
|--------------------------|--|---------------------|------|
| Description: | LAMP PIE ZENIT,LED(30W+10W)+7W 3000K dim(bronze) | | |
| Mark: | 20000 FL Floor Lamp | | |
| Reference: | 575054320 | | |
| Provisional Ref.: | | | |
| Range: | 57505 ZENIT | | |
| Code EAN: | 8421797750541 | | |
| Measures (mm): | 1843-0620-0280 | Weight (kg): | 8.05 |

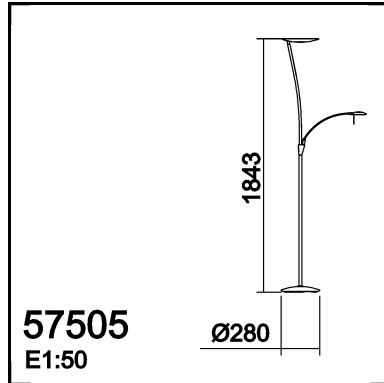
TECHNICAL INFO

| | | | | | |
|--------------------------|--------------|----------------|-------------|---------------------------|----------------|
| Lampholder/Watts: | LED 40W + 7W | Switch: | Push-button | Transformer: | Yes |
| Bulb included: | Yes - SMD | Dimmer: | Yes | Voltage/Frequence: | DC 24V - 1,88A |
| CCT: | 3000K | Efi: | A++..A | Shade: | No |
| Lm: | 3106.66 | Ra: | 82.8 | Shrink wrap: | No |
| Class: | III | Bulk: | No | Applied Standard: | CE / LVD |
| IP: | 20 | McAdam: | 2.0 | Power: | 47.2W |

PACKAGING DETAILS

| | Individual Box | Outer Box | Master Box |
|---------------------------|--------------------|-----------|------------|
| Type: | MDC-MARRON / BROWN | | |
| Units: | 1.00 | 0.00 | 0.00 |
| Measures: | 1905-0390-0335 | _____ | _____ |
| Gross Weight (kg): | 9.10 | - | - |
| CTN 40': | 225,00 | | |

OBSERVATIONS



57505
E1:50

TECHNICAL DATA N° 2.997 -575059720

LAMP INFO

| | | | |
|--------------------------|--|---------------------|------|
| Description: | LAMP PIE ZENIT,LED(30W+10W)+7W 3000K dim(niquel m) | | |
| Mark: | 20000 FL Floor Lamp | | |
| Reference: | 575059720 | | |
| Provisional Ref.: | | | |
| Range: | 57505 ZENIT | | |
| Code EAN: | 8421797750596 | | |
| Measures (mm): | 1843-0620-0280 | Weight (kg): | 8.05 |

TECHNICAL INFO

| | | | | | |
|--------------------------|--------------|----------------|-------------|---------------------------|----------------|
| Lampholder/Watts: | LED 40W + 7W | Switch: | Push-button | Transformer: | Yes |
| Bulb included: | Yes - SMD | Dimmer: | Yes | Voltage/Frequence: | DC 24V - 1,88A |
| CCT: | 3000K | Efi: | A++..A | Shade: | No |
| Lm: | 3106.66 | Ra: | 82.8 | Shrink wrap: | No |
| Class: | III | Bulk: | No | Applied Standard: | CE / LVD |
| IP: | 20 | McAdam: | 2.0 | Power: | 47.2W |

PACKAGING DETAILS

| | Individual Box | Outer Box | Master Box |
|---------------------------|--------------------|-----------|------------|
| Type: | MDC-MARRON / BROWN | | |
| Units: | 1.00 | 0.00 | 0.00 |
| Measures: | 1905-0390-0335 | _____ | _____ |
| Gross Weight (kg): | 9.10 | - | - |
| CTN 40': | 225,00 | | |

OBSERVATIONS
