

TECHNICAL DATA N° 2.812 -574725409

LAMP INFO

Description:	LAMP MESA DIXON led 7W (blanco mat+cromo mat)		
Mark:	20001 TL Table Lamp		
Reference:	574725409		
Provisional Ref.:			
Range:	57329 DIXON		
Code EAN:	8421797747275		
Measures (mm):	0405-0180-0390	Weight (kg):	2.20

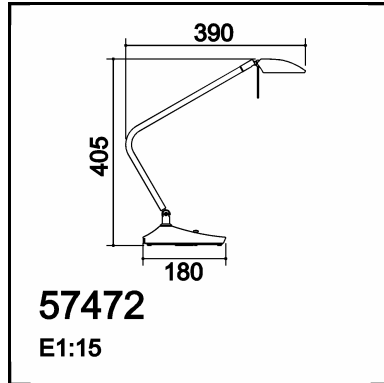
TECHNICAL INFO

Lampholder/Watts:	LED 7W	Switch:	Push-button	Transformer:	Yes
Bulb included:	Yes - COB	Dimmer:	Yes	Voltage/Frequence:	DC 12V - 0.7A
CCT:	3000K	Efi:	A++..A	Shade:	No
Lm:	531.33	Ra:	85.1	Shrink wrap:	No
Class:	III	Bulk:	No	Applied Standard:	CE / LVD
IP:	20	McAdam:	1.2	Power:	9.5W

PACKAGING DETAILS

	Individual Box	Outer Box	Master Box
Type:	MDC-MARRON / BROWN		
Units:	1.00	0.00	0.00
Measures:	0255-0460-0315	___-___-___	___-___-___
Gross Weight (kg):	3.50	-	-
CTN 40':	1.515,00		

OBSERVATIONS



TECHNICAL DATA N° 2.813 -574725909

LAMP INFO

Description:	LAMP MESA DIXON led 7W (negr mat+laton mat)		
Mark:	20001 TL Table Lamp		
Reference:	574725909		
Provisional Ref.:			
Range:	57329 DIXON		
Code EAN:	8421797747220		
Measures (mm):	0405-0180-0390	Weight (kg):	2.20

TECHNICAL INFO

Lampholder/Watts:	LED 7W	Switch:	Push-button	Transformer:	Yes
Bulb included:	Yes - COB	Dimmer:	Yes	Voltage/Frequence:	DC 12V - 0.7A
CCT:	3000K	Efi:	A++..A	Shade:	No
Lm:	531.33	Ra:	85.1	Shrink wrap:	No
Class:	III	Bulk:	No	Applied Standard:	CE / LVD
IP:	20	McAdam:	1.2	Power:	9.5W

PACKAGING DETAILS

	Individual Box	Outer Box	Master Box
Type:	MDC-MARRON / BROWN		
Units:	1.00	0.00	0.00
Measures:	0255-0460-0315	___-___-___	___-___-___
Gross Weight (kg):	3.50	-	-
CTN 40':	1.515,00		

OBSERVATIONS
