
TECHNICAL DATA N° 2.649 -574089102
LAMP INFO

Description:	PLAFON SPHERA, LED 30W (negro mate)		
Mark:	10001 CL Ceiling		
Reference:	574089102		
Provisional Ref.:	92636-91		
Range:	57407 SPHERA		
Code EAN:	8421797740894		
Measures (mm):	0420-0078-0420	Weight (kg):	2.40

TECHNICAL INFO

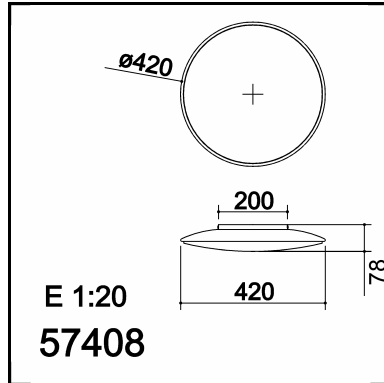
Lampholder/Watts:	LED 30W	Switch:	No	Transformer:	Yes
Bulb included:	Yes - SMD	Dimmer:	No	Voltage/Frequence:	230V - 50Hz
CCT:	3000K	Efi:	A++..A	Shade:	No
Lm:	1747.32	Ra:	86.6	Shrink wrap:	No
Class:	II	Bulk:	No	Applied Standard:	CE / LVD
IP:	20	McAdam:	0.2	Power:	30.4W

PACKAGING DETAILS

	Individual Box	Outer Box	Master Box
Type:	MDC-MARRON IMPRESA	MDC - MARRON / BROWN	
Units:	1.00	4.00	0.00
Measures:	0475-0475-0475	0495-0495-0520	___-___-___
Gross Weight (kg):	3.10	14.40	-
CTN 40':	1.758,00		

OBSERVATIONS

Available w. dimmer



TECHNICAL DATA N° 2.648 -574088602

LAMP INFO

Description:	PLAFON SPHERA, LED 30W (granate mate)		
Mark:	10001 CL Ceiling		
Reference:	574088602		
Provisional Ref.:	92636-86		
Range:	57407 SPHERA		
Code EAN:	8421797740856		
Measures (mm):	0420-0078-0420	Weight (kg):	2.30

TECHNICAL INFO

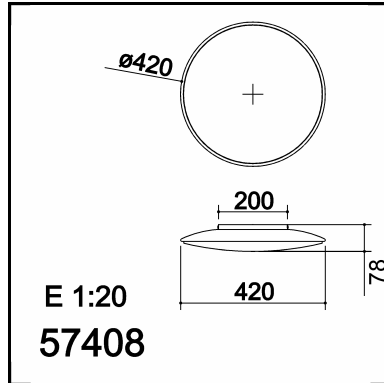
Lampholder/Watts:	LED 30W	Switch:	No	Transformer:	Yes
Bulb included:	Yes - SMD	Dimmer:	No	Voltage/Frequence:	230V - 50Hz
CCT:	3000K	Efi:	A++..A	Shade:	No
Lm:	1747.32	Ra:	86.6	Shrink wrap:	No
Class:	II	Bulk:	No	Applied Standard:	CE / LVD
IP:	20	McAdam:	0.2	Power:	30.4W

PACKAGING DETAILS

	Individual Box	Outer Box	Master Box
Type:	MDC-MARRON IMPRESA	MDC - MARRON / BROWN	
Units:	1.00	4.00	0.00
Measures:	0475-0475-0150	0495-0495-0520	_____
Gross Weight (kg):	3.30	14.40	-
CTN 40':	1.758,00		

OBSERVATIONS

Available w. dimmer



TECHNICAL DATA N° 2.647 -574088102

LAMP INFO

Description:	PLAFON SPHERA, LED 30W (blanco mate)		
Mark:	10001 CL Ceiling		
Reference:	574088102		
Provisional Ref.:	92636-81		
Range:	57407 SPHERA		
Code EAN:	8421797740887		
Measures (mm):	0420-0078-0420	Weight (kg):	2.30

TECHNICAL INFO

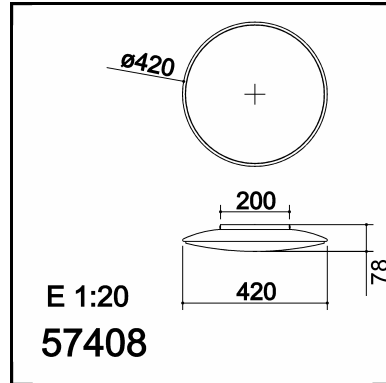
Lampholder/Watts:	LED 30W	Switch:	No	Transformer:	Yes
Bulb included:	Yes - SMD	Dimmer:	No	Voltage/Frequence:	230V - 50Hz
CCT:	3000K	Efi:	A++..A	Shade:	No
Lm:	1747.32	Ra:	86.6	Shrink wrap:	No
Class:	II	Bulk:	No	Applied Standard:	CE / LVD
IP:	20	McAdam:	0.2	Power:	30.4W

PACKAGING DETAILS

	Individual Box	Outer Box	Master Box
Type:	MDC-MARRON IMPRESA	MDC - MARRON / BROWN	
Units:	1.00	4.00	0.00
Measures:	0475-0475-0150	0495-0495-0520	___-___-___
Gross Weight (kg):	3.30	14.30	-
CTN 40':	1.758,00		

OBSERVATIONS

Available w. dimmer



TECHNICAL DATA N° 2.650 -574089502

LAMP INFO

Description:	PLAFON SPHERA, LED 30W (gris mate)		
Mark:	10001 CL Ceiling		
Reference:	574089502		
Provisional Ref.:	92636-95		
Range:	57407 SPHERA		
Code EAN:	8421797740801		
Measures (mm):	0420-0078-0420	Weight (kg):	2.40

TECHNICAL INFO

Lampholder/Watts:	LED 30W	Switch:	No	Transformer:	Yes
Bulb included:	Yes - SMD	Dimmer:	No	Voltage/Frequence:	230V - 50Hz
CCT:	3000K	Efi:	A++..A	Shade:	No
Lm:	1747.32	Ra:	86.6	Shrink wrap:	No
Class:	II	Bulk:	No	Applied Standard:	CE / LVD
IP:	20	McAdam:	0.2	Power:	30.4W

PACKAGING DETAILS

	Individual Box	Outer Box	Master Box
Type:	MDC-MARRON IMPRESA	MDC - MARRON / BROWN	
Units:	1.00	4.00	0.00
Measures:	0475-0475-0150	0495-0495-0520	_____ - _____ - _____
Gross Weight (kg):	3.30	14.30	-
CTN 40':	1.758,00		

OBSERVATIONS

Available w. dimmer