

**TECHNICAL DATA N°** 2.679 -574039102

**LAMP INFO**

<b>Description:</b>	APLIQUE FINESS, LED 6W(negro mate)		
<b>Mark:</b>	10002 WL Wall Lamp		
<b>Reference:</b>	574039102		
<b>Provisional Ref.:</b>			
<b>Range:</b>	57400 FINESS		
<b>Code EAN:</b>	8421797740382		
<b>Measures (mm):</b>	0110-0085-0420	<b>Weight (kg):</b>	0.76

**TECHNICAL INFO**

<b>Lampholder/Watts:</b>	LED 6W	<b>Switch:</b>	Touch	<b>Transformer:</b>	Yes
<b>Bulb included:</b>	Yes - COB	<b>Dimmer:</b>	Yes	<b>Voltage/Frequence:</b>	230V - 50Hz
<b>CCT:</b>	3000K	<b>Efi:</b>	115	<b>Shade:</b>	No
<b>Lm:</b>	525.48	<b>Ra:</b>	81.9	<b>Shrink wrap:</b>	No
<b>Class:</b>	II	<b>Bulk:</b>	No	<b>Applied Standard:</b>	CE / LVD
<b>IP:</b>	20	<b>McAdam:</b>	2.5	<b>Power:</b>	7.1W

**PACKAGING DETAILS**

	Individual Box	Outer Box	Master Box
<b>Type:</b>	MDC-MARRON / BROWN	MDC - MARRON / BROWN	
<b>Units:</b>	1.00	12.00	0.00
<b>Measures:</b>	0480-0156-0070	0490-0335-0450	_____
<b>Gross Weight (kg):</b>	1.03	12.90	-
<b>CTN 40°:</b>	9.097,00		

**OBSERVATIONS**

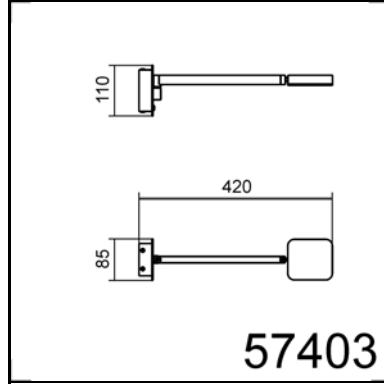
---

---

---

---

---



**TECHNICAL DATA N°** 2.563 -574039702

**LAMP INFO**

<b>Description:</b>	APLIQUE FINESS, LED 6W (níquel mate)		
<b>Mark:</b>	10002 WL Wall Lamp		
<b>Reference:</b>	574039702		
<b>Provisional Ref.:</b>			
<b>Range:</b>	57400 FINESS		
<b>Code EAN:</b>	8421797740399		
<b>Measures (mm):</b>	___-___-___	<b>Weight (kg):</b>	0.76

**TECHNICAL INFO**

<b>Lampholder/Watts:</b>	LED 6W	<b>Switch:</b>	Touch	<b>Transformer:</b>	Yes
<b>Bulb included:</b>	Yes - COB	<b>Dimmer:</b>	Yes	<b>Voltage/Frequence:</b>	230V - 50Hz
<b>CCT:</b>	3000K	<b>Efi:</b>	115	<b>Shade:</b>	No
<b>Lm:</b>	525.48	<b>Ra:</b>	81.9	<b>Shrink wrap:</b>	No
<b>Class:</b>	II	<b>Bulk:</b>	No	<b>Applied Standard:</b>	CE / LVD
<b>IP:</b>	20	<b>McAdam:</b>	2.5	<b>Power:</b>	7.1W

**PACKAGING DETAILS**

	Individual Box	Outer Box	Master Box
<b>Type:</b>	MDC-MARRON / BROWN	MDC - MARRON / BROWN	
<b>Units:</b>	1.00	12.00	0.00
<b>Measures:</b>	0480-0156-0070	0490-0335-0450	___-___-___
<b>Gross Weight (kg):</b>	1.03	12.90	-
<b>CTN 40°:</b>	9.097,00		

**OBSERVATIONS**
