

**TECHNICAL DATA 573633520**

LAMP INFO	
Description:	LAMP PIE KOA PLUS,LED22,4+22,4W 6+6W 2K2-6K(cr m)
Mark:	20000 FL Floor Lamp
Reference:	573633520
Range:	57360 KOA PLUS
Code EAN:	8421797736330
Measures (mm):	0468-0250-1801
Weight (kg):	6.10

Lampholder/Watts:	LED 22,4W+6W	CCT:	Progressive CCT 2200K-6000K	Switch:	Push-button
Bulb included:	Yes - SMD	Lm:	2125	USB_C:	No
Class:	Class III	Effi LS:	D / E	Shade:	No
IP:	20	CRI:	83,80	Dimmable:	Progressive 0-100% dimmer included
Driver inc.:	Yes	Lamp Power:	34,10W		
Voltage/Frequence:	DC 24V - 1,5A	Applied Standard:	CE / LVD		

**PACKAGING DETAILS**

	Individual Box	Outer Box	Master Box
Type:	MDC - BROWN		
Units:	1.00	0.00	0.00
Measures:	1115-0300-0305		
Gross Weight (kg):	7.80	-	-
CTN 40':	548,00		

**OBSERVATIONS**

---



---



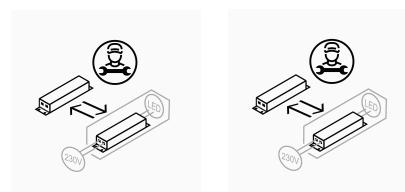
---

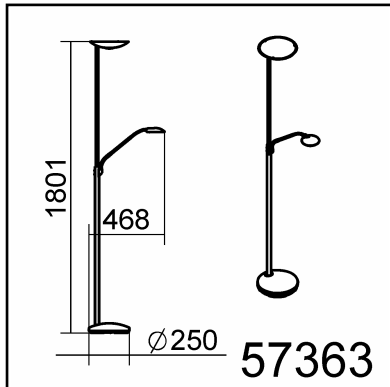


---



---





**TECHNICAL DATA 573634420**

**LAMP INFO**

Description:	LAMP PIE KOA PLUS,LED22,4+22,4W 6+6W 2K2-6K(med)
Mark:	20000 FL Floor Lamp
Reference:	573634420
Range:	57360 KOA PLUS
Code EAN:	8421797736347
Measures (mm):	0468-0250-1801
Weight (kg):	6.10

Lampholder/Watts:	LED 22,4W+6W	CCT:	Progressive CCT 2200K-6000K	Switch:	Push-button
Bulb included:	Yes - SMD	Lm:	2125	USB_C:	No
Class:	Class III	Effi LS:	D / E	Shade:	No
IP:	20	CRI:	83,80	Dimmable:	Progressive 0-100% dimmer included
Driver inc.:	Yes	Lamp Power:	34,10W		
Voltage/Frequence:	DC 24V - 1,5A	Applied Standard:	CE / LVD		

**PACKAGING DETAILS**

	Individual Box	Outer Box	Master Box
Type:	MDC - BROWN		
Units:	1.00	0.00	0.00
Measures:	1115-0300-0305		
Gross Weight (kg):	7.80	-	-
CTN 40':	548,00		

**OBSERVATIONS**

---



---



---



---



---

