

TECHNICAL DATA N° 2.476 -573613509

LAMP INFO

Description:	LAMP MESA KOA PLUS, LED6W+6W 2700-6000K (cr mate)		
Mark:	20001 TL Table Lamp		
Reference:	573613509		
Provisional Ref.:			
Range:	57360 KOA PLUS		
Code EAN:	8421797736125		
Measures (mm):	0180-0425-0180	Weight (kg):	1.55

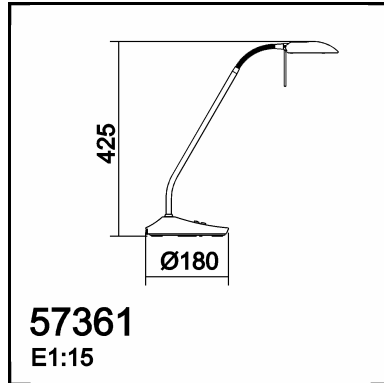
TECHNICAL INFO

Lampholder/Watts:	LED 6W	Switch:	Push-button	Transformer:	Yes
Bulb included:	Yes - SMD	Dimmer:	Yes	Voltage/Frequence:	DC 20V - 0.3A
CCT:	Dimmable CCT 2200K-5700K	Efi:	A++..A	Shade:	No
Lm:	391.38	Ra:	84.3	Shrink wrap:	No
Class:	III	Bulk:	No	Applied Standard:	CE / LVD
IP:	20	McAdam:	0.6	Power:	8.6W

PACKAGING DETAILS

	Individual Box	Outer Box	Master Box
Type:	MDC-MARRON IMPRESA	MDC - MARRON / BROWN	
Units:	1.00	4.00	0.00
Measures:	0320-0205-0430	0645-0415-0440	_____
Gross Weight (kg):	2.15	9.24	-
CTN 40':	1.901,00		

OBSERVATIONS



TECHNICAL DATA N° 2.475 -573613009

LAMP INFO

Description:	LAMP MESA KOA PLUS, LED6W+6W 2700-6000K (cromo)		
Mark:	20001 TL Table Lamp		
Reference:	573613009		
Provisional Ref.:			
Range:	56885 KOA		
Code EAN:	8421797736132		
Measures (mm):	0180-0425-0180	Weight (kg):	1.55

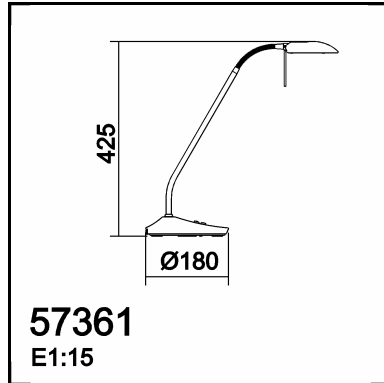
TECHNICAL INFO

Lampholder/Watts:	LED 6W	Switch:	Push-button	Transformer:	Yes
Bulb included:	Yes - SMD	Dimmer:	Yes	Voltage/Frequence:	DC 20V - 0.3A
CCT:	Dimmable CCT 2200K-5700K	Efi:	A++..A	Shade:	No
Lm:	391.38	Ra:	84.3	Shrink wrap:	No
Class:	III	Bulk:	No	Applied Standard:	CE / LVD
IP:	20	McAdam:	0.6	Power:	8.6W

PACKAGING DETAILS

	Individual Box	Outer Box	Master Box
Type:	MDC-MARRON IMPRESA	MDC - MARRON / BROWN	
Units:	1.00	4.00	0.00
Measures:	0320-0205-0430	0645-0415-0440	_____
Gross Weight (kg):	2.15	9.24	-
CTN 40':	1.901,00		

OBSERVATIONS



TECHNICAL DATA N° 2.477 -573614409

LAMP INFO

Description:	LAMP MESA KOA PLUS, LED6W+6W 2700-6000K (medalla)		
Mark:	20001 TL Table Lamp		
Reference:	573614409		
Provisional Ref.:			
Range:	57360 KOA PLUS		
Code EAN:	8421797736149		
Measures (mm):	0180-0425-0180	Weight (kg):	1.55

TECHNICAL INFO

Lampholder/Watts:	LED 6W	Switch:	Push-button	Transformer:	Yes
Bulb included:	Yes - SMD	Dimmer:	Yes	Voltage/Frequence:	DC 20V - 0.3A
CCT:	Dimmable CCT 2200K-5700K	Efi:	A++..A	Shade:	No
Lm:	391.38	Ra:	84.3	Shrink wrap:	No
Class:	III	Bulk:	No	Applied Standard:	CE / LVD
IP:	20	McAdam:	0.6	Power:	8.6W

PACKAGING DETAILS

	Individual Box	Outer Box	Master Box
Type:	MDC-MARRON IMPRESA	MDC - MARRON / BROWN	
Units:	1.00	4.00	0.00
Measures:	0320-0205-0430	0645-0415-0440	_____
Gross Weight (kg):	2.15	9.24	-
CTN 40':	1.901,00		

OBSERVATIONS
