

TECHNICAL DATA N° 2.579 - 573530602

LAMP INFO

| | | | |
|--------------------------|--|---------------------|------|
| Description: | COLGANTE SIONE, LED 2*18W (negro mate+cromo) | | |
| Mark: | 10000 PD Pendant | | |
| Reference: | 573530602 | | |
| Provisional Ref.: | | | |
| Range: | 57350 SIONE | | |
| Code EAN: | 8421797735302 | | |
| Measures (mm): | 0250-0870-1320 | Weight (kg): | 2.50 |

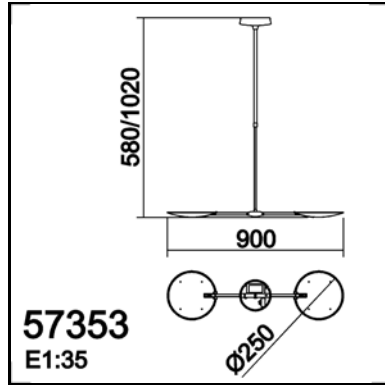
TECHNICAL INFO

| | | | | | |
|--------------------------|-----------|----------------|-------------|---------------------------|-------------|
| Lampholder/Watts: | LED 2x18W | Switch: | Push-button | Transformer: | Yes |
| Bulb included: | Yes - SMD | Dimmer: | Yes | Voltage/Frequency: | 230V - 50Hz |
| CCT: | 3000K | Efi: | A++..A | Shade: | No |
| Lm: | 1844.85 | Ra: | 83.4 | Shrink wrap: | No |
| Class: | II | Bulk: | No | Applied Standard: | CE / LVD |
| IP: | 20 | McAdam: | 1.3 | Power: | 35.0W |

PACKAGING DETAILS

| | Individual Box | Outer Box | Master Box |
|---------------------------|--------------------|----------------------|------------|
| Type: | MDC-MARRON / BROWN | MDC - MARRON / BROWN | |
| Units: | 1.00 | 0.00 | 0.00 |
| Measures: | 0325-1205-0105 | _____ | _____ |
| Gross Weight (kg): | - | - | - |
| CTN 40': | 1.361,00 | | |

OBSERVATIONS



TECHNICAL DATA Nº 2.580 - 573530702

LAMP INFO

| | | | |
|-------------------|---|--------------|---|
| Description: | COLGANTE SIONE, LED 2*18W (antracita+cobre) | | |
| Mark: | 10000 PD Pendant | | |
| Reference: | 573530702 | | |
| Provisional Ref.: | | | |
| Range: | 57350 SIONE | | |
| Code EAN: | 8421797735319 | | |
| Measures (mm): | 0250-0870-1320 | Weight (kg): | - |

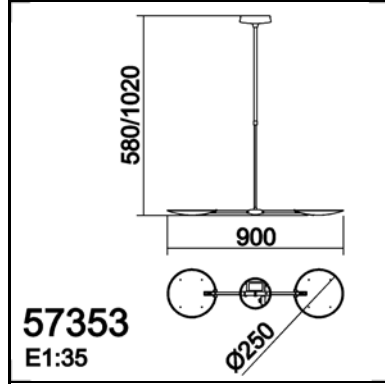
TECHNICAL INFO

| | | | | | |
|-------------------|-----------|---------|-------------|--------------------|-------------|
| Lampholder/Watts: | LED 2x18W | Switch: | Push-button | Transformer: | Yes |
| Bulb included: | Yes - SMD | Dimmer: | Yes | Voltage/Frequency: | 230V - 50Hz |
| CCT: | 3000K | Efi: | A++..A | Shade: | No |
| Lm: | 1844.85 | Ra: | 83.4 | Shrink wrap: | No |
| Class: | II | Bulk: | No | Applied Standard: | CE / LVD |
| IP: | 20 | McAdam: | 1.3 | Power: | 35.0W |

PACKAGING DETAILS

| | Individual Box | Outer Box | Master Box |
|--------------------|--------------------|-----------|------------|
| Type: | MDC-MARRON / BROWN | | |
| Units: | 1.00 | 0.00 | 0.00 |
| Measures: | 0325-1205-0105 | _____ | _____ |
| Gross Weight (kg): | - | - | - |
| CTN 40': | 1.361,00 | | |

OBSERVATIONS



TECHNICAL DATA N° 2.581 - 573533502

LAMP INFO

| | | | |
|--------------------------|--|---------------------|---|
| Description: | COLGANTE SIONE, LED 2*18W (cromo mate) | | |
| Mark: | 10000 PD Pendant | | |
| Reference: | 573533502 | | |
| Provisional Ref.: | | | |
| Range: | 57350 SIONE | | |
| Code EAN: | 8421797735333 | | |
| Measures (mm): | 0250-0870-1320 | Weight (kg): | - |

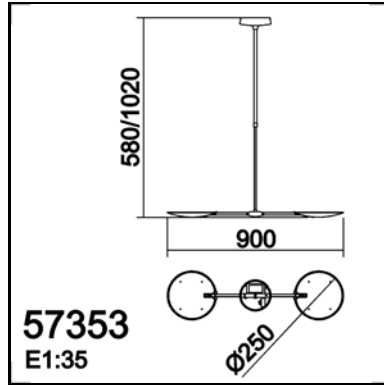
TECHNICAL INFO

| | | | | | |
|--------------------------|-----------|----------------|-------------|---------------------------|-------------|
| Lampholder/Watts: | LED 2x18W | Switch: | Push-button | Transformer: | Yes |
| Bulb included: | Yes - SMD | Dimmer: | Yes | Voltage/Frequence: | 230V - 50Hz |
| CCT: | 3000K | Efi: | A++..A | Shade: | No |
| Lm: | 1844.85 | Ra: | 83.4 | Shrink wrap: | No |
| Class: | II | Bulk: | No | Applied Standard: | CE / LVD |
| IP: | 20 | McAdam: | 1.3 | Power: | 35.0W |

PACKAGING DETAILS

| | Individual Box | Outer Box | Master Box |
|---------------------------|--------------------|-----------|------------|
| Type: | MDC-MARRON / BROWN | | |
| Units: | 1.00 | 0.00 | 0.00 |
| Measures: | 0325-1205-0105 | _____ | _____ |
| Gross Weight (kg): | - | - | - |
| CTN 40': | 1.361,00 | | |

OBSERVATIONS



TECHNICAL DATA Nº 2.582 - 573534302

LAMP INFO

| | | | |
|--------------------------|------------------------------------|---------------------|---|
| Description: | COLGANTE SIONE, LED 2*18W (bronce) | | |
| Mark: | 10000 PD Pendant | | |
| Reference: | 573534302 | | |
| Provisional Ref.: | | | |
| Range: | 57350 SIONE | | |
| Code EAN: | 8421797735340 | | |
| Measures (mm): | 0250-0870-1320 | Weight (kg): | - |

TECHNICAL INFO

| | | | | | |
|--------------------------|-----------|----------------|-------------|---------------------------|-------------|
| Lampholder/Watts: | LED 2x18W | Switch: | Push-button | Transformer: | Yes |
| Bulb included: | Yes - SMD | Dimmer: | Yes | Voltage/Frequency: | 230V - 50Hz |
| CCT: | 3000K | Efi: | A++..A | Shade: | No |
| Lm: | 1844.85 | Ra: | 83.4 | Shrink wrap: | No |
| Class: | II | Bulk: | No | Applied Standard: | CE / LVD |
| IP: | 20 | McAdam: | 1.3 | Power: | 35.0W |

PACKAGING DETAILS

| | Individual Box | Outer Box | Master Box |
|---------------------------|--------------------|-----------|------------|
| Type: | MDC-MARRON / BROWN | | |
| Units: | 1.00 | 0.00 | 0.00 |
| Measures: | 0325-1205-0105 | _____ | _____ |
| Gross Weight (kg): | - | - | - |
| CTN 40': | 1.361,00 | | |

OBSERVATIONS
