

TECHNICAL DATA 573520620

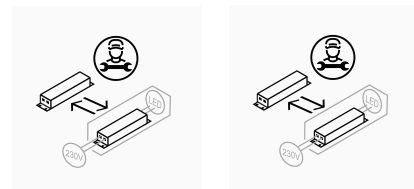
LAMP INFO	
Description:	LAMP PIE LECTOR SIONE,LED 7W(negr mate+cr brill)
Mark:	20000 FL Floor Lamp
Reference:	573520620
Range:	57350 SIONE
Code EAN:	8421797735203
Measures (mm):	1400-0220-0220
Weight (kg):	3.90

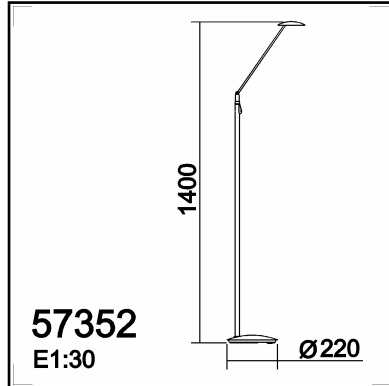
Lampholder/Watts:	LED 7W	CCT:	3000K	Switch:	Push-button
Bulb included:	Yes - COB	Lm:	325	USB_C:	No
Class:	Class III	Effi LS:	E	Shade:	No
IP:	20	CRI:	84,40	Dimmable:	Progressive 0-100% dimmer included
Driver inc.:	Yes	Lamp Power:	9,50W		
Voltage/Frequence:	DC 12V - 0.7A	Applied Standard:	CE / LVD		

PACKAGING DETAILS

	Individual Box	Outer Box	Master Box
Type:	MDC - BROWN PRINTED		
Units:	1.00	0.00	0.00
Measures:	0295-0110-1180	_____	_____
Gross Weight (kg):	6.05	-	-
CTN 40':	1.462,00		

OBSERVATIONS





TECHNICAL DATA 573520720

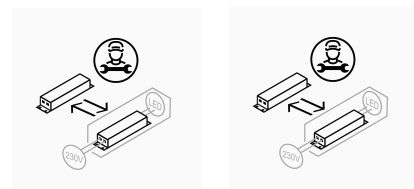
LAMP INFO	
Description:	LAMP PIE LECTOR SIONE,LED 7W(antracita+cobre)
Mark:	20000 FL Floor Lamp
Reference:	573520720
Range:	57350 SIONE
Code EAN:	8421797735210
Measures (mm):	1400-0220-0220
Weight (kg):	3.90

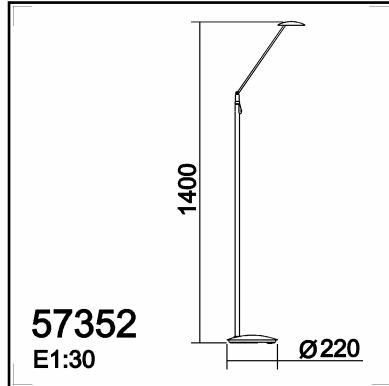
Lampholder/Watts:	LED 7W	CCT:	3000K	Switch:	Push-button
Bulb included:	Yes - COB	Lm:	325	USB_C:	No
Class:	Class III	Effi LS:	E	Shade:	No
IP:	20	CRI:	84,40	Dimmable:	Progressive 0-100% dimmer included
Driver inc.:	Yes	Lamp Power:	9,50W		
Voltage/Frequence:	DC 12V - 0.7A	Applied Standard:	CE / LVD		

PACKAGING DETAILS

	Individual Box	Outer Box	Master Box
Type:	MDC - BROWN PRINTED		
Units:	1.00	0.00	0.00
Measures:	0295-0110-1180	_____	_____
Gross Weight (kg):	6.05	-	-
CTN 40':	1.462,00		

OBSERVATIONS





TECHNICAL DATA 573524320

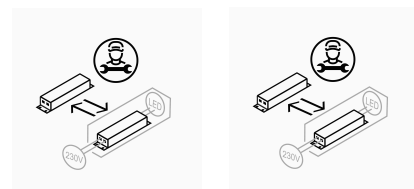
LAMP INFO	
Description:	LAMP PIE LECTOR SIONE,LED 7W(bronze)
Mark:	20000 FL Floor Lamp
Reference:	573524320
Range:	57350 SIONE
Code EAN:	8421797735241
Measures (mm):	1400-0220-0220
Weight (kg):	3.90

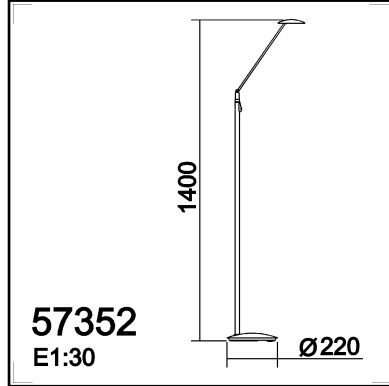
Lampholder/Watts:	LED 7W	CCT:	3000K	Switch:	Push-button
Bulb included:	Yes - COB	Lm:	325	USB_C:	No
Class:	Class III	Effi LS:	E	Shade:	No
IP:	20	CRI:	84,40	Dimmable:	Progressive 0-100% dimmer included
Driver inc.:	Yes	Lamp Power:	9,50W		
Voltage/Frequence:	DC 12V - 0.7A	Applied Standard:	CE / LVD		

PACKAGING DETAILS

	Individual Box	Outer Box	Master Box
Type:	MDC - BROWN PRINTED		
Units:	1.00	0.00	0.00
Measures:	0295-0110-1180	_____	_____
Gross Weight (kg):	6.05	-	-
CTN 40':	1.462,00		

OBSERVATIONS





TECHNICAL DATA 573523520

LAMP INFO	
Description:	LAMP PIE LECTOR SIONE,LED 7W (cromo mate)
Mark:	20000 FL Floor Lamp
Reference:	573523520
Range:	57350 SIONE
Code EAN:	8421797735234
Measures (mm):	1400-0220-0220
Weight (kg):	3.90

Lampholder/Watts:	LED 7W	CCT:	3000K	Switch:	Push-button
Bulb included:	Yes - COB	Lm:	325	USB_C:	No
Class:	Class III	Effi LS:	E	Shade:	No
IP:	20	CRI:	84,40	Dimmable:	Progressive 0-100% dimmer included
Driver inc.:	Yes	Lamp Power:	9,50W		
Voltage/Frequence:	DC 12V - 0.7A	Applied Standard:	CE / LVD		

PACKAGING DETAILS

	Individual Box	Outer Box	Master Box
Type:	MDC - BROWN PRINTED		
Units:	1.00	0.00	0.00
Measures:	0295-0110-1180	_____	_____
Gross Weight (kg):	6.05	-	-
CTN 40':	1.462,00		

OBSERVATIONS

