

**TECHNICAL DATA N°** 2.431 -573510620

**LAMP INFO**

<b>Description:</b>	LAMP PIE SINGLE SIONE, LED 30W(negro mate+cr bri)		
<b>Mark:</b>	20000 FL Floor Lamp		
<b>Reference:</b>	573510620		
<b>Provisional Ref.:</b>			
<b>Range:</b>	57350 SIONE		
<b>Code EAN:</b>	8421797735104		
<b>Measures (mm):</b>	1836-0260-0260	<b>Weight (kg):</b>	6.25

**TECHNICAL INFO**

<b>Lampholder/Watts:</b>	LED 30W	<b>Switch:</b>	Push-button	<b>Transformer:</b>	Yes
<b>Bulb included:</b>	Yes - SMD	<b>Dimmer:</b>	Yes	<b>Voltage/Frequence:</b>	DC 24V - 1,5A
<b>CCT:</b>	3000K	<b>Efi:</b>	A++..A	<b>Shade:</b>	No
<b>Lm:</b>	2544.29	<b>Ra:</b>	85.5	<b>Shrink wrap:</b>	No
<b>Class:</b>	III	<b>Bulk:</b>	No	<b>Applied Standard:</b>	CE / LVD
<b>IP:</b>	20	<b>McAdam:</b>	2.4	<b>Power:</b>	33.8W

**PACKAGING DETAILS**

	Individual Box	Outer Box	Master Box
<b>Type:</b>	MDC-MARRON IMPRESA		
<b>Units:</b>	1.00	0.00	0.00
<b>Measures:</b>	1905-0320-0340	___-___-___	___-___-___
<b>Gross Weight (kg):</b>	8.73	-	-
<b>CTN 40':</b>	270,00		

**OBSERVATIONS**

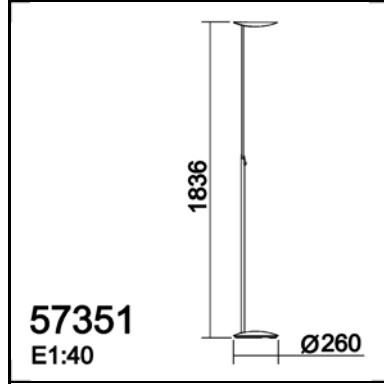
---

---

---

---

---



**TECHNICAL DATA N°** 2.434 - 573514320

**LAMP INFO**

<b>Description:</b>	LAMP PIE SINGLE SIONE, LED 30W (bronze)		
<b>Mark:</b>	20000 FL Floor Lamp		
<b>Reference:</b>	573514320		
<b>Provisional Ref.:</b>			
<b>Range:</b>	57350 SIONE		
<b>Code EAN:</b>	8421797735142		
<b>Measures (mm):</b>	1836-0260-0260	<b>Weight (kg):</b>	6.25

**TECHNICAL INFO**

<b>Lampholder/Watts:</b>	LED 30W	<b>Switch:</b>	Push-button	<b>Transformer:</b>	Yes
<b>Bulb included:</b>	Yes - SMD	<b>Dimmer:</b>	Yes	<b>Voltage/Frequency:</b>	DC 24V - 1,5A
<b>CCT:</b>	3000K	<b>Efi:</b>	A++..A	<b>Shade:</b>	No
<b>Lm:</b>	2544.29	<b>Ra:</b>	85.5	<b>Shrink wrap:</b>	No
<b>Class:</b>	III	<b>Bulk:</b>	No	<b>Applied Standard:</b>	CE / LVD
<b>IP:</b>	20	<b>McAdam:</b>	2.4	<b>Power:</b>	33.8W

**PACKAGING DETAILS**

	Individual Box	Outer Box	Master Box
<b>Type:</b>	MDC-MARRON IMPRESA		
<b>Units:</b>	1.00	0.00	0.00
<b>Measures:</b>	1905-0320-0340	_____	_____
<b>Gross Weight (kg):</b>	8.73	-	-
<b>CTN 40':</b>	270,00		

**OBSERVATIONS**

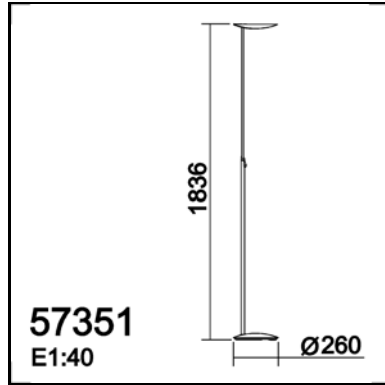
---

---

---

---

---



**TECHNICAL DATA N°** 2.433 - 573513520

**LAMP INFO**

<b>Description:</b>	LAMP PIE SINGLE SIONE, LED 30W(cromo mate)		
<b>Mark:</b>	20000 FL Floor Lamp		
<b>Reference:</b>	573513520		
<b>Provisional Ref.:</b>			
<b>Range:</b>	57350 SIONE		
<b>Code EAN:</b>	8421797735135		
<b>Measures (mm):</b>	1836-0260-0260	<b>Weight (kg):</b>	6.25

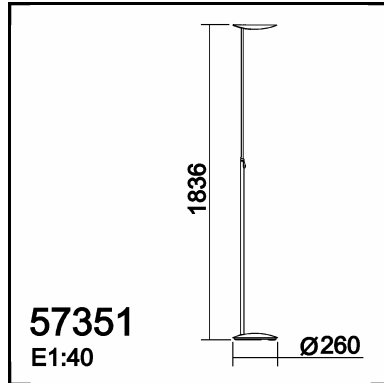
**TECHNICAL INFO**

<b>Lampholder/Watts:</b>	LED 30W	<b>Switch:</b>	Push-button	<b>Transformer:</b>	Yes
<b>Bulb included:</b>	Yes - SMD	<b>Dimmer:</b>	Yes	<b>Voltage/Frequence:</b>	DC 24V - 1,5A
<b>CCT:</b>	3000K	<b>Efi:</b>	A++..A	<b>Shade:</b>	No
<b>Lm:</b>	2544.29	<b>Ra:</b>	85.5	<b>Shrink wrap:</b>	No
<b>Class:</b>	III	<b>Bulk:</b>	No	<b>Applied Standard:</b>	CE / LVD
<b>IP:</b>	20	<b>McAdam:</b>	2.4	<b>Power:</b>	33.8W

**PACKAGING DETAILS**

	Individual Box	Outer Box	Master Box
<b>Type:</b>	MDC-MARRON IMPRESA		
<b>Units:</b>	1.00	0.00	0.00
<b>Measures:</b>	1905-0320-0340	_____	_____
<b>Gross Weight (kg):</b>	8.73	-	-
<b>CTN 40':</b>	270,00		

**OBSERVATIONS**

**TECHNICAL DATA N°** 2.432 -573510720

**LAMP INFO**

<b>Description:</b>	LAMP PIE SINGLE SIONE, LED 30W(antracita+cobre)		
<b>Mark:</b>	20000 FL Floor Lamp		
<b>Reference:</b>	573510720		
<b>Provisional Ref.:</b>			
<b>Range:</b>	57350 SIONE		
<b>Code EAN:</b>	8421797735111		
<b>Measures (mm):</b>	1836-0260-0260	<b>Weight (kg):</b>	6.25

**TECHNICAL INFO**

<b>Lampholder/Watts:</b>	LED 30W	<b>Switch:</b>	Push-button	<b>Transformer:</b>	Yes
<b>Bulb included:</b>	Yes - SMD	<b>Dimmer:</b>	Yes	<b>Voltage/Frequence:</b>	DC 24V - 1,5A
<b>CCT:</b>	3000K	<b>Efi:</b>	A++..A	<b>Shade:</b>	No
<b>Lm:</b>	2544.29	<b>Ra:</b>	85.5	<b>Shrink wrap:</b>	No
<b>Class:</b>	III	<b>Bulk:</b>	No	<b>Applied Standard:</b>	CE / LVD
<b>IP:</b>	20	<b>McAdam:</b>	2.4	<b>Power:</b>	33.8W

**PACKAGING DETAILS**

	Individual Box	Outer Box	Master Box
<b>Type:</b>	MDC-MARRON IMPRESA		
<b>Units:</b>	1.00	0.00	0.00
<b>Measures:</b>	1905-0320-0340	___-___-___	___-___-___
<b>Gross Weight (kg):</b>	8.73	-	-
<b>CTN 40':</b>	270,00		

**OBSERVATIONS**

---

---

---

---

---