

**TECHNICAL DATA N°** 2.427 - 573500620

**LAMP INFO**

<b>Description:</b>	LAMP PIE SIONE,LED 30W+7W(negro mate+cromo)		
<b>Mark:</b>	20000 FL Floor Lamp		
<b>Reference:</b>	573500620		
<b>Provisional Ref.:</b>			
<b>Range:</b>	57350 SIONE		
<b>Code EAN:</b>	8421797735005		
<b>Measures (mm):</b>	1825-0260-0260	<b>Weight (kg):</b>	6.78

**TECHNICAL INFO**

<b>Lampholder/Watts:</b>	LED 30W+7W	<b>Switch:</b>	Push-button	<b>Transformer:</b>	Yes
<b>Bulb included:</b>	Yes - SMD + COB	<b>Dimmer:</b>	Yes	<b>Voltage/Frequence:</b>	DC 24V - 1,5A
<b>CCT:</b>	3000K	<b>Efi:</b>	A++..A	<b>Shade:</b>	No
<b>Lm:</b>	2870.44	<b>Ra:</b>	85.6	<b>Shrink wrap:</b>	No
<b>Class:</b>	III	<b>Bulk:</b>	No	<b>Applied Standard:</b>	CE / LVD
<b>IP:</b>	20	<b>McAdam:</b>	1.6	<b>Power:</b>	42.5W

**PACKAGING DETAILS**

	Individual Box	Outer Box	Master Box
<b>Type:</b>	MDC-MARRON IMPRESA		
<b>Units:</b>	1.00	0.00	0.00
<b>Measures:</b>	1905-0320-0340	_____	_____
<b>Gross Weight (kg):</b>	8.90	-	-
<b>CTN 40':</b>	270,00		

**OBSERVATIONS**

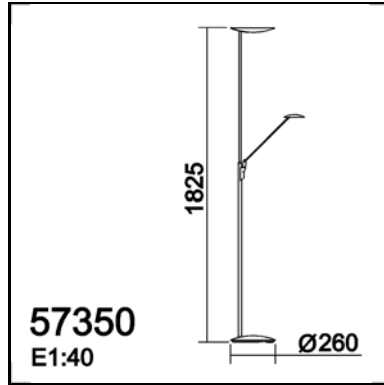
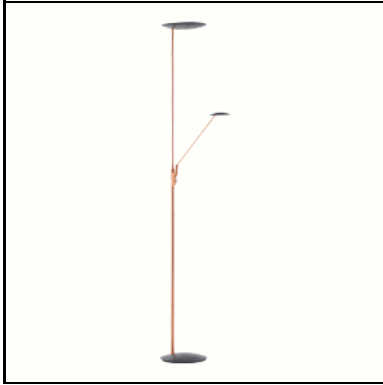
---

---

---

---

---



**TECHNICAL DATA N°** 2.428 - 573500720

**LAMP INFO**

<b>Description:</b>	LAMP PIE SIONE, LED 30W+7W (antracita+cobre)		
<b>Mark:</b>	20000 FL Floor Lamp		
<b>Reference:</b>	573500720		
<b>Provisional Ref.:</b>			
<b>Range:</b>	57350 SIONE		
<b>Code EAN:</b>	8421797735012		
<b>Measures (mm):</b>	1825-0260-0260	<b>Weight (kg):</b>	6.78

**TECHNICAL INFO**

<b>Lampholder/Watts:</b>	LED 30W+7W	<b>Switch:</b>	Push-button	<b>Transformer:</b>	Yes
<b>Bulb included:</b>	Yes - SMD + COB	<b>Dimmer:</b>	Yes	<b>Voltage/Frequence:</b>	DC 24V - 1,5A
<b>CCT:</b>	3000K	<b>Efi:</b>	A++..A	<b>Shade:</b>	No
<b>Lm:</b>	2870.44	<b>Ra:</b>	85.6	<b>Shrink wrap:</b>	No
<b>Class:</b>	III	<b>Bulk:</b>	No	<b>Applied Standard:</b>	CE / LVD
<b>IP:</b>	20	<b>McAdam:</b>	1.6	<b>Power:</b>	42.5W

**PACKAGING DETAILS**

	Individual Box	Outer Box	Master Box
<b>Type:</b>	MDC-MARRON IMPRESA		
<b>Units:</b>	1.00	0.00	0.00
<b>Measures:</b>	1905-0320-0340	_____	_____
<b>Gross Weight (kg):</b>	8.90	-	-
<b>CTN 40°:</b>	270,00		

**OBSERVATIONS**

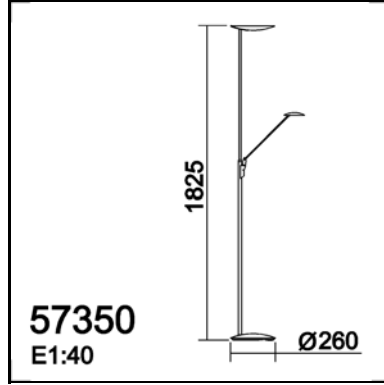
---

---

---

---

---



**TECHNICAL DATA Nº** 2.429 - 573503520

**LAMP INFO**

<b>Description:</b>	LAMP PIE SIONE, LED 30W+7W(cromo mate)		
<b>Mark:</b>	20000 FL Floor Lamp		
<b>Reference:</b>	573503520		
<b>Provisional Ref.:</b>			
<b>Range:</b>	57350 SIONE		
<b>Code EAN:</b>	8421797735036		
<b>Measures (mm):</b>	1825-0260-0260	<b>Weight (kg):</b>	6.78

**TECHNICAL INFO**

<b>Lampholder/Watts:</b>	LED 30W+7W	<b>Switch:</b>	Toggle + push switch	<b>Transformer:</b>	Yes
<b>Bulb included:</b>	Yes - SMD + COB	<b>Dimmer:</b>	Yes	<b>Voltage/Frequency:</b>	DC 24V - 1,5A
<b>CCT:</b>	3000K	<b>Efi:</b>	A++..A	<b>Shade:</b>	No
<b>Lm:</b>	2870.44	<b>Ra:</b>	85.6	<b>Shrink wrap:</b>	No
<b>Class:</b>	III	<b>Bulk:</b>	No	<b>Applied Standard:</b>	CE / LVD
<b>IP:</b>	20	<b>McAdam:</b>	1.6	<b>Power:</b>	42.5W

**PACKAGING DETAILS**

	Individual Box	Outer Box	Master Box
<b>Type:</b>	MDC-MARRON IMPRESA		
<b>Units:</b>	1.00	0.00	0.00
<b>Measures:</b>	1905-0320-0340	_____	_____
<b>Gross Weight (kg):</b>	8.90	-	-
<b>CTN 40':</b>	270,00		

**OBSERVATIONS**

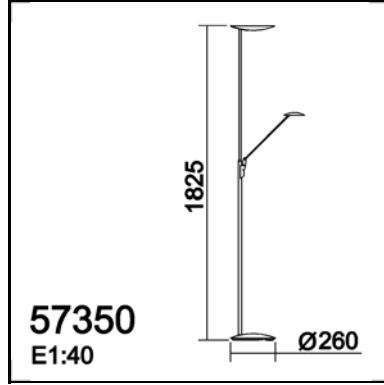
---

---

---

---

---



**TECHNICAL DATA N°** 2.430 - 573504320

**LAMP INFO**

<b>Description:</b>	LAMP PIE SIONE, LED 30W+7W (bronze)		
<b>Mark:</b>	20000 FL Floor Lamp		
<b>Reference:</b>	573504320		
<b>Provisional Ref.:</b>			
<b>Range:</b>	57350 SIONE		
<b>Code EAN:</b>	8421797735043		
<b>Measures (mm):</b>	1825-0260-0260	<b>Weight (kg):</b>	6.78

**TECHNICAL INFO**

<b>Lampholder/Watts:</b>	LED 30W+7W	<b>Switch:</b>	Push-button	<b>Transformer:</b>	Yes
<b>Bulb included:</b>	Yes - SMD + COB	<b>Dimmer:</b>	Yes	<b>Voltage/Frequency:</b>	DC 24V - 1,5A
<b>CCT:</b>	3000K	<b>Efi:</b>	A++..A	<b>Shade:</b>	No
<b>Lm:</b>	2870.44	<b>Ra:</b>	85.6	<b>Shrink wrap:</b>	No
<b>Class:</b>	III	<b>Bulk:</b>	No	<b>Applied Standard:</b>	CE / LVD
<b>IP:</b>	20	<b>McAdam:</b>	1.6	<b>Power:</b>	42.5W

**PACKAGING DETAILS**

	Individual Box	Outer Box	Master Box
<b>Type:</b>	MDC-MARRON IMPRESA		
<b>Units:</b>	1.00	0.00	0.00
<b>Measures:</b>	1905-0320-0340	_____	_____
<b>Gross Weight (kg):</b>	8.90	-	-
<b>CTN 40°:</b>	270,00		

**OBSERVATIONS**

---

---

---

---

---