

TECHNICAL DATA Nº 2.489 - 573373420

LAMP INFO

Description:	LAMP PIE SWEET, LED 22W+6W (pint.aluminio)		
Mark:	20000 FL Floor Lamp		
Reference:	573373420		
Provisional Ref.:			
Range:	57337 SWEET		
Code EAN:	8421797733728		
Measures (mm):	1845-0250-0250	Weight (kg):	6.90

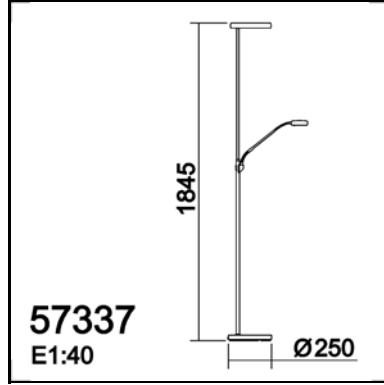
TECHNICAL INFO

Lampholder/Watts:	LED 22W + 6W	Switch:	Toggle + push switch	Transformer:	No
Bulb included:	Yes - SMD	Dimmer:	No	Voltage/Frequence:	DC 24V - 1.25A
CCT:	3000K	Efi:	A++..A	Shade:	No
Lm:	1435.64	Ra:	82.7	Shrink wrap:	No
Class:	III	Bulk:	No	Applied Standard:	CE / LVD
IP:	20	McAdam:	1.3	Power:	29.3W

PACKAGING DETAILS

	Individual Box	Outer Box	Master Box
Type:	MDC-MARRON IMPRESA		
Units:	1.00	0.00	0.00
Measures:	0280-0095-1115	_____	_____
Gross Weight (kg):	7.30	-	-
CTN 40':	1.888,00		

OBSERVATIONS



TECHNICAL DATA Nº 2.462 - 573373520

LAMP INFO

Description:	LAMP PIE SWEET, LED 22W+6W (cromo mate)		
Mark:	20000 FL Floor Lamp		
Reference:	573373520		
Provisional Ref.:			
Range:	57337 SWEET		
Code EAN:	8421797733735		
Measures (mm):	1845-0250-0250	Weight (kg):	6.90

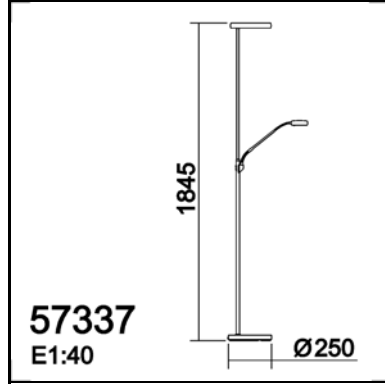
TECHNICAL INFO

Lampholder/Watts:	LED 22W + 6W	Switch:	Toggle + push switch	Transformer:	No
Bulb included:	Yes - SMD	Dimmer:	No	Voltage/Frequence:	DC 24V - 1.25A
CCT:	3000K	Efi:	A++..A	Shade:	No
Lm:	1435.64	Ra:	82.7	Shrink wrap:	No
Class:	III	Bulk:	No	Applied Standard:	CE / LVD
IP:	20	McAdam:	1.3	Power:	29.3W

PACKAGING DETAILS

	Individual Box	Outer Box	Master Box
Type:	MDC-MARRON IMPRESA		
Units:	1.00	0.00	0.00
Measures:	0280-0095-1115	_____	_____
Gross Weight (kg):	7.30	-	-
CTN 40':	1.888,00		

OBSERVATIONS



TECHNICAL DATA Nº 2.870 - 573374420

LAMP INFO

Description:	LAMP PIE SWEET, LED 22W+6W (medalla)		
Mark:	00012 LAM PIE SIN MADERA		
Reference:	573374420		
Provisional Ref.:			
Range:	57337 SWEET		
Code EAN:	8421797733742		
Measures (mm):	1845-0250-0250	Weight (kg):	6.90

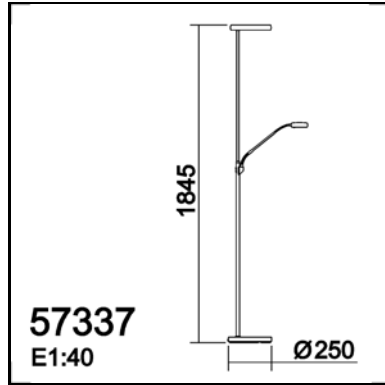
TECHNICAL INFO

Lampholder/Watts:	LED 22W + 6W	Switch:	Toggle + push switch	Transformer:	Yes
Bulb included:	Yes - SMD	Dimmer:	Yes	Voltage/Frequence:	DC 24V - 1.25A
CCT:	3000K	Efi:	A++..A	Shade:	No
Lm:	1435.64	Ra:	82.7	Shrink wrap:	No
Class:	III	Bulk:	No	Applied Standard:	CE / LVD
IP:	20	McAdam:	1.3	Power:	29.3W

PACKAGING DETAILS

	Individual Box	Outer Box	Master Box
Type:	MDC-MARRON IMPRESA		
Units:	1.00	0.00	0.00
Measures:	0280-0095-1115	_____	_____
Gross Weight (kg):	7.30	-	-
CTN 40':	1.888,00		

OBSERVATIONS



TECHNICAL DATA N° 2.461 - 573378620

LAMP INFO

Description:	LAMP PIE SWEET, LED 22W+6W (granate text)		
Mark:	20000 FL Floor Lamp		
Reference:	573378620		
Provisional Ref.:			
Range:	57337 SWEET		
Code EAN:	8421797733780		
Measures (mm):	1845-0250-0250	Weight (kg):	6.90

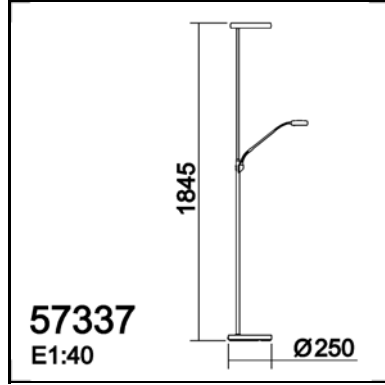
TECHNICAL INFO

Lampholder/Watts:	LED 22W + 6W	Switch:	Toggle + push switch	Transformer:	Yes
Bulb included:	Yes - SMD	Dimmer:	Yes	Voltage/Frequence:	DC 24V - 1.25A
CCT:	3000K	Efi:	A++..A	Shade:	No
Lm:	1435.64	Ra:	82.7	Shrink wrap:	No
Class:	III	Bulk:	No	Applied Standard:	CE / LVD
IP:	20	McAdam:	1.3	Power:	29.3W

PACKAGING DETAILS

	Individual Box	Outer Box	Master Box
Type:	MDC-MARRON IMPRESA		
Units:	1.00	0.00	0.00
Measures:	0280-0100-1140	_____	_____
Gross Weight (kg):	7.30	-	-
CTN 40':	1.754,00		

OBSERVATIONS



TECHNICAL DATA N° 2.490 - 573379120

LAMP INFO

Description:	LAMP PIE SWEET, LED 22W+6W (negro mate)		
Mark:	20000 FL Floor Lamp		
Reference:	573379120		
Provisional Ref.:			
Range:	57337 SWEET		
Code EAN:	8421797733797		
Measures (mm):	1845-0250-0250	Weight (kg):	6.90

TECHNICAL INFO

Lampholder/Watts:	LED 22W + 6W	Switch:	Toggle + push switch	Transformer:	Yes
Bulb included:	Yes - SMD	Dimmer:	Yes	Voltage/Frequence:	DC 24V - 900mA
CCT:	3000K	Efi:	A++..A	Shade:	No
Lm:	1435.64	Ra:	82.7	Shrink wrap:	No
Class:	III	Bulk:	No	Applied Standard:	CE / LVD
IP:	20	McAdam:	1.3	Power:	29.3W

PACKAGING DETAILS

	Individual Box	Outer Box	Master Box
Type:	MDC-MARRON / BROWN		
Units:	1.00	0.00	0.00
Measures:	0280-0095-1115	_____	_____
Gross Weight (kg):	7.30	-	-
CTN 40':	1.888,00		

OBSERVATIONS
