

**TECHNICAL DATA 570603503**

**LAMP INFO**

<b>Description:</b>	PLAFON QUSINE T8 LED 2*14W 90 cm(cr.mate)+led		
<b>Mark:</b>	10001	CL Ceiling	
<b>Reference:</b>	570603503		
<b>Range:</b>	57060	QUSINE	
<b>Code EAN:</b>	8421797706029		
<b>Measures (mm):</b>	0900-0062-0090		
<b>Weight (kg):</b>	0.70		

<b>Lampholder/Watts:</b>	LED 2x14W	<b>CCT:</b>	4000K	<b>Switch:</b>	No
<b>Bulb included:</b>	Yes - SMD	<b>Lm:</b>	2800	<b>USB_C:</b>	No
<b>Class:</b>	Class II	<b>Effi LS:</b>	F	<b>Shade:</b>	No
<b>IP:</b>	20	<b>CRI:</b>	83,40	<b>Dimmable:</b>	No
<b>Driver inc.:</b>	Yes	<b>Lamp Power:</b>	28,00W		
<b>Voltage/Frequence:</b>	230V - 50Hz	<b>Applied Standard:</b>	CE / LVD		

**PACKAGING DETAILS**

	Individual Box	Outer Box	Master Box
<b>Type:</b>	MDC - COLORS	MDC - MARRON / BROWN	
<b>Units:</b>	1.00	4.00	0.00
<b>Measures:</b>	0110-0080-0900	0920-0250-0185	
<b>Gross Weight (kg):</b>	0.95	3.44	
<b>CTN 40':</b>	5.264,00		

**OBSERVATIONS**

---



---



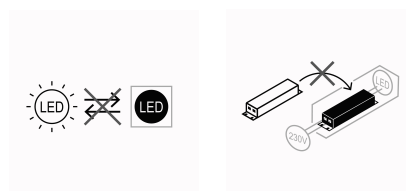
---

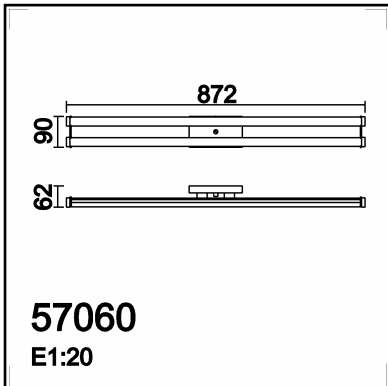
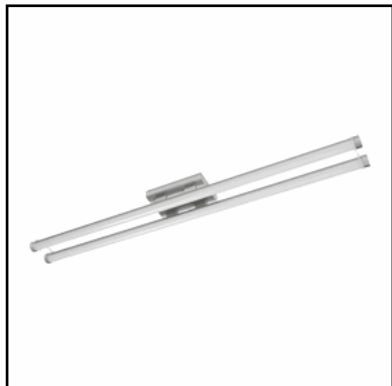


---



---





**TECHNICAL DATA 570608003**

**LAMP INFO**

<b>Description:</b>	PLAFON QUSINE T8 LED 2*14W 90 cm (blanco)+led		
<b>Mark:</b>	10001	CL Ceiling	
<b>Reference:</b>	570608003		
<b>Range:</b>	57060	QUSINE	
<b>Code EAN:</b>	8421797706012		
<b>Measures (mm):</b>	0900-0062-0090		
<b>Weight (kg):</b>	0.70		

<b>Lampholder/Watts:</b>	LED 2x14W	<b>CCT:</b>	4000K	<b>Switch:</b>	No
<b>Bulb included:</b>	Yes - SMD	<b>Lm:</b>	2800	<b>USB_C:</b>	No
<b>Class:</b>	Class II	<b>Effi LS:</b>	F	<b>Shade:</b>	No
<b>IP:</b>	20	<b>CRI:</b>	83,40	<b>Dimmable:</b>	No
<b>Driver inc.:</b>	Yes	<b>Lamp Power:</b>	28,00W		
<b>Voltage/Frequence:</b>	230V - 50Hz	<b>Applied Standard:</b>	CE / LVD		

**PACKAGING DETAILS**

	Individual Box	Outer Box	Master Box
<b>Type:</b>	MDC - COLORS	MDC - MARRON / BROWN	
<b>Units:</b>	1.00	4.00	0.00
<b>Measures:</b>	0110-0080-0900	0920-0250-0185	
<b>Gross Weight (kg):</b>	0.95	3.44	
<b>CTN 40':</b>	5.264,00		

**OBSERVATIONS**

---



---



---



---



---

