

TECHNICAL DATA N° 2.261 - 570293003

LAMP INFO

Description:	APLIQUE STRIN LED 90cm 14W (cromo)+led		
Mark:	10002 WL Wall Lamp		
Reference:	570293003		
Provisional Ref.:			
Range:	57026 STRIN		
Code EAN:	8421797702922		
Measures (mm):	0048-0912-0106	Weight (kg):	1.28

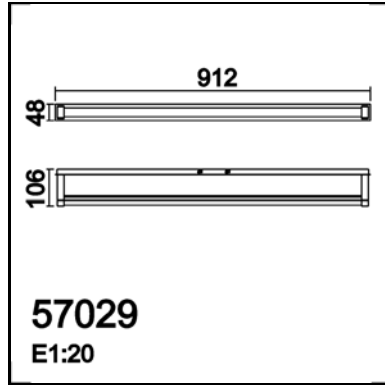
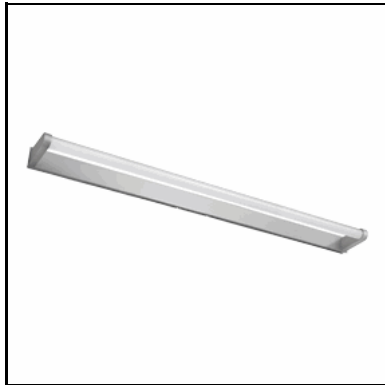
TECHNICAL INFO

Lampholder/Watts:	LED 14W	Switch:	No	Transformer:	Yes
Bulb included:	Yes - SMD	Dimmer:	No	Voltage/Frequence:	230V - 50Hz
CCT:	4000K	Efi:	A++..A	Shade:	No
Lm:	1258.15	Ra:	82.3	Shrink wrap:	No
Class:	II	Bulk:	No	Applied Standard:	CE / LVD
IP:	44	McAdam:	1.5	Power:	14.1W

PACKAGING DETAILS

	Individual Box	Outer Box	Master Box
Type:	COLOR BOX	MDC - MARRON / BROWN	
Units:	1.00	6.00	0.00
Measures:	0120-0065-0925	0260-0215-0950	_____
Gross Weight (kg):	1.51	7.68	-
CTN 40':	6.327,00		

OBSERVATIONS



TECHNICAL DATA N° 2.263 - 570293503

LAMP INFO

Description:	APLIQUE STRIN LED 90cm 14W(cromo mate)+led		
Mark:	10002 WL Wall Lamp		
Reference:	570293503		
Provisional Ref.:			
Range:	57026 STRIN		
Code EAN:	8421797702915		
Measures (mm):	0048-0912-0106	Weight (kg):	1.28

TECHNICAL INFO

Lampholder/Watts:	LED 14W	Switch:	No	Transformer:	Yes
Bulb included:	Yes - SMD	Dimmer:	No	Voltage/Frequence:	230V - 50Hz
CCT:	4000K	Efi:	A++..A	Shade:	No
Lm:	1258.15	Ra:	82.3	Shrink wrap:	No
Class:	II	Bulk:	No	Applied Standard:	CE / LVD
IP:	44	McAdam:	1.5	Power:	14.1W

PACKAGING DETAILS

	Individual Box	Outer Box	Master Box
Type:	COLOR BOX	MDC - MARRON / BROWN	
Units:	1.00	6.00	0.00
Measures:	0120-0065-0925	0260-0215-0950	_____
Gross Weight (kg):	1.51	7.68	-
CTN 40':	6.327,00		

OBSERVATIONS
